

RT45

Operator's Manual



Overview

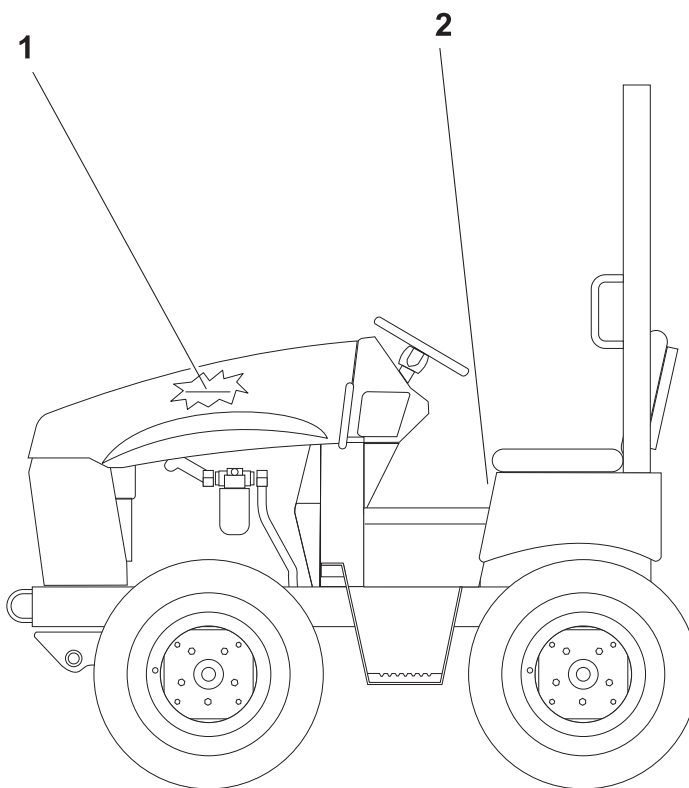


Chapter Contents

Serial Number Location	2
Intended Use	3
Equipment Modification	3
Unit Components	4
Operator Orientation.	5
About This Manual	5
• Bulleted Lists.	5
• Numbered Lists.	5

Serial Number Location

Record serial numbers and date of purchase in spaces provided. RT45 (2) and engine (1) serial numbers are located as shown.



t14om001h.eps

Date of manufacture	
Date of purchase	
RT45 serial number	
Engine serial number	
Front attachment serial number	
Rear attachment serial number	
Trailer serial number	

Intended Use



The RT45 is a riding trencher designed to install buried service lines of various sizes using a variety of Ditch Witch® attachments.

Attachment	Max. width/diameter	Max. depth
H313 trencher	12 in (305 mm)	63 in (1.6 m)
H314 trencher, center	12 in (305 mm)	52 in (1.3 m)
H314 trencher, offset	8 in (200 mm)	52 in (1.3 m)
H331 plow	3 in (76 mm)	24 in (610 mm)
H350 combo		
trencher	8 in (200 mm)	42 in (1.1 m)
plow	3 in (76 mm)	24 in (610 mm)
H342 saw	5 in (130 mm)	18 in (455 mm)
A323 backhoe	18 in (460 mm)	93.2 in (2.4 m)
MT12 MicroTrencher	0.75-1.25 in (19-32 mm)	6-12.5 in (165-318 mm)

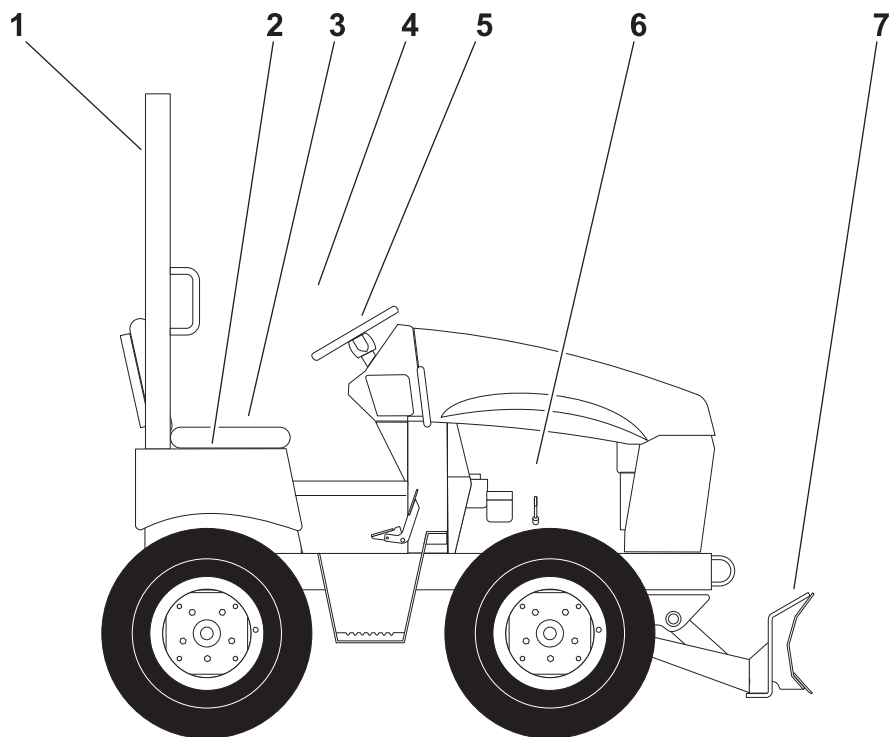
The unit is designed for operation in temperatures typically experienced in earth moving and construction work environments. Provisions may be required to operate in extreme temperatures. Contact your Ditch Witch dealer. Use in any other way is considered contrary to the intended use.

The RT45 should be used with genuine Ditch Witch chain, teeth, and sprockets. It should be operated, serviced, and repaired only by persons familiar with its particular characteristics and acquainted with the relevant safety procedures.

Equipment Modification

This equipment was designed and built in accordance with applicable standards and regulations. Modification of equipment could mean that it will no longer meet regulations and may not function properly or in accordance with the operating instructions. Modification of equipment should only be made by competent personnel possessing knowledge of applicable standards, regulations, equipment design functionality/requirements and any required specialized testing.

Unit Components



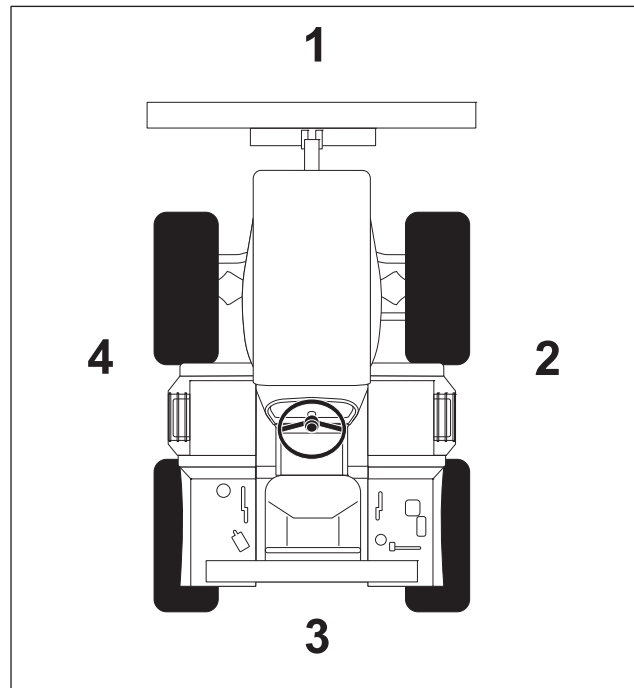
t14om002h.eps

- | | |
|---|-----------------------|
| 1. Rollover Protective Structure (ROPS) | 5. Center console |
| 2. Right console | 6. Engine compartment |
| 3. Left console | 7. Backfill blade |
| 4. Operator's station | |

Operator Orientation

- | | |
|------------------|-----------------|
| 1. Front of unit | 3. Rear of unit |
| 2. Right of unit | 4. Left of unit |

Right and left sides of machine are determined by facing front of unit while seated at the controls.



t28om060h.eps



About This Manual

This manual contains information for the proper use of this machine. See **Operation Overview** for basic operating procedures. Cross references such as “See page 50” will direct you to detailed procedures.

Bulleted Lists

Bulleted lists provide helpful or important information or contain procedures that do not have to be performed in a specific order.

Numbered Lists

Numbered lists contain illustration callouts or list steps that must be performed in order.

Foreword



This manual is an important part of your equipment. It provides safety information and operation instructions to help you use and maintain your Ditch Witch® equipment.

Read this manual before using your equipment. Keep it with the equipment at all times for future reference. If you sell your equipment, be sure to give this manual to the new owner.

If you need a replacement copy, contact your Ditch Witch dealer. If you need assistance in locating a dealer, visit our website at www.ditchwitch.com or write to the following address:

The Charles Machine Works, Inc.
Attn: Marketing Department
PO Box 66
Perry, OK 73077-0066
USA

The descriptions and specifications in this manual are subject to change without notice. The Charles Machine Works, Inc. reserves the right to improve equipment. Some product improvements may have taken place after this manual was published. For the latest information on Ditch Witch equipment, see your Ditch Witch dealer.

Thank you for buying and using Ditch Witch equipment.

**RT45
Operator's Manual**

Issue number 4.0/OM-04/15

Part number 053-1982

**Copyright 2009, 2010, 2012, 2015
by The Charles Machine Works, Inc.**











, Ditch Witch and Roto Witch are registered trademarks of The Charles Machine Works, Inc.

This product is covered by one or more of the following patents: U.S. D640290, D640291, D640292, and 8375605 with other U.S. and foreign patents pending.

Contents



	Overview machine serial number, information about the type of work this machine is designed to perform, basic machine components, and how to use this manual	1
	Foreword part number, revision level, and publication date of this manual, and factory contact information	7
	Safety machine safety alerts and emergency procedures	11
	Controls machine controls, gauges, and indicators and how to use them	27
	Operation Overview an overview for completing a job with this machine: planning, setting up, installing product, and restoring the jobsite; with cross references to detailed procedures	59
	Prepare procedures for inspecting and classifying the jobsite, planning the installation path, and preparing the jobsite for work	63
	Drive procedures for startup, cold start, driving, and shutdown	69
	Transport procedures for lifting, hauling, and towing	73
	Trench procedures for trenching	83
	Plow procedures for plowing	87
	Saw procedures for sawing	93
	Backhoe procedures for digging with backhoe	99

	Drill procedures for drilling	105
	Microtrench procedures for microtrenching	113
	Systems and Equipment chain, teeth, sprockets, and optional equipment	125
	Complete the Job procedures for backfilling and restoring the jobsite and rinsing and storing equipment	131
	Service service intervals and instructions for this machine including lubrication, replacement of wear items, and basic maintenance	133
	Specifications machine specifications including weights, measurements, power ratings, and fluid capacities	175
	Support the warranty policy for this machine, and procedures for obtaining warranty consideration and training	193
	Service Record a record of major service performed on the machine	197

Safety

Chapter Contents



Guidelines 12

Emergency Procedures 13

- Electric Strike Description 13
- If an Electric Line is Damaged 14
- If a Gas Line is Damaged 15
- If a Fiber Optic Cable is Damaged 16
- If Machine Catches on Fire 16

Safety Alert Classifications 17

Machine Safety Alerts 18

Guidelines

Follow these guidelines before operating any jobsite equipment:

- Complete proper training and read operator's manual before using equipment.
- Contact your local One-Call (811 in USA) or the One-Call referral number (888-258-0808 in USA and Canada) to have underground utilities located before digging. Also contact any utilities that do not participate in the One-Call service. Mark proposed path with white paint prior to contacting One-Call or utilities.
- Classify jobsite based on its hazards and use correct tools and machinery, safety equipment, and work methods for jobsite.
- Mark jobsite clearly and keep spectators away.
- Wear personal protective equipment.
- Review jobsite hazards, safety and emergency procedures, and individual responsibilities with all personnel before work begins. Safety videos are available from your Ditch Witch® dealer or at ditchwitch.com/resources/safety.
- Replace missing or damaged safety shields and safety signs.
- Use equipment carefully. Stop operation and investigate anything that does not look or feel right.
- Do not operate unit where flammable gas may be present.
- Contact your Ditch Witch dealer if you have any question about operation, maintenance, or equipment use.
- Complete the equipment checklist located at www.ditchwitch.com/resources/safety.

Emergency Procedures



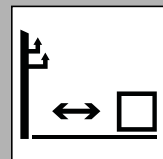
WARNING Jobsite hazards could cause death or serious injury. Use correct equipment and work methods. Use and maintain proper safety equipment. 274-050



Before operating any equipment, review emergency procedures and check that all safety precautions have been taken.

EMERGENCY SHUTDOWN - Turn ignition switch to stop position or push remote engine stop button (if equipped).

Electric Strike Description



DANGER Electric shock. Contacting electric lines will cause death or serious injury. Know location of lines and stay away.

When working near electric cables, remember the following:

- Electricity follows all paths to ground, not just path of least resistance.
- Pipes, hoses, and cables will conduct electricity back to all equipment.
- Low voltage current can injure or kill. Many work-related electrocutions result from contact with less than 440 volts.

Most electric strikes are not noticeable, but indications of a strike include:

- power outage
- smoke
- explosion
- popping noises
- arcing electricity

If any of these occur, or if strike alarm sounds or flashes, assume an electric strike has occurred.

If an Electric Line is Damaged

If you suspect an electric line has been damaged and you are **on drilling unit or bonded equipment**, DO NOT MOVE. Remain on drilling machine and take the following actions. The order and degree of action will depend on the situation.

- Warn people nearby that an electric strike has occurred.
- Have someone contact electric company.
- Reverse drilling direction and try to break contact. Do not touch drill pipe with hands or hand-held tools.
- Press electric strike system self test button.
 - If alarm sounds again, stay where you are and wait for electric company to shut off power.
 - If alarm does not sound and there is no other indication of a strike, wait at least one full minute before moving away from equipment. Utility might use automatic reclosers which will restart current flow. If alarm sounds again while waiting, stay where you are until electric company shuts off power.
 - If alarm does not sound but all lights in strike indicator are on, assume strike is continuing and stay where you are until electric company shuts off power.
- Do not resume drilling or allow anyone into area until given permission by electric company.

If you suspect an electric line has been damaged and you are **off drilling unit or bonded equipment**, DO NOT TOUCH ANY EQUIPMENT connected to drilling unit. Take the following actions. The order and degree of action will depend on the situation.

- Stay where you are unless you are wearing electric insulating boots. If you leave, do not return to area or allow anyone into area until given permission by electric company.

If a Gas Line is Damaged



⚠ WARNING Fire or explosion possible. Fumes could ignite and cause burns. No smoking, no flame, no spark. 275-419 (2P)



⚠ WARNING Explosion possible. Serious injury or equipment damage could occur. Follow directions carefully.

If you suspect a gas line has been damaged, take the following actions. The order and degree of action will depend on the situation.

- Immediately shut off engine(s), if this can be done safely and quickly.
- Remove any ignition source(s), if this can be done safely and quickly.
- Warn others that a gas line has been cut and that they should leave the area.
- Leave jobsite as quickly as possible.
- Immediately call your local emergency phone number and utility company.
- If jobsite is along street, stop traffic from driving near jobsite.
- Do not return to jobsite until given permission by emergency personnel and utility company.

If a Fiber Optic Cable is Damaged

Do not look into cut ends of fiber optic or unidentified cable. Vision damage can occur. Contact utility company.

If Machine Catches on Fire

Perform emergency shutdown procedure and then take the following actions. The order and degree of action will depend on the situation.


- Immediately move battery disconnect switch (if equipped and accessible) to disconnect position.
- If fire is small and fire extinguisher is available, attempt to extinguish fire.
- If fire cannot be extinguished, leave area as quickly as possible and contact emergency personnel.


Safety Alert Classifications


These classifications and the icons defined on the following pages work together to alert you to situations which could be harmful to you, jobsite bystanders or your equipment. When you see these words and icons in the book or on the machine, carefully read and follow all instructions. **YOUR SAFETY IS AT STAKE.**



Watch for the three safety alert levels: **DANGER**, **WARNING** and **CAUTION**. Learn what each level means.

 **DANGER** indicates a hazardous situation that, if not avoided, will result in death or serious injury. This signal word is to be limited to the most extreme situations.

 **WARNING** indicates a hazardous situation that, if not avoided, could result in death or serious injury.

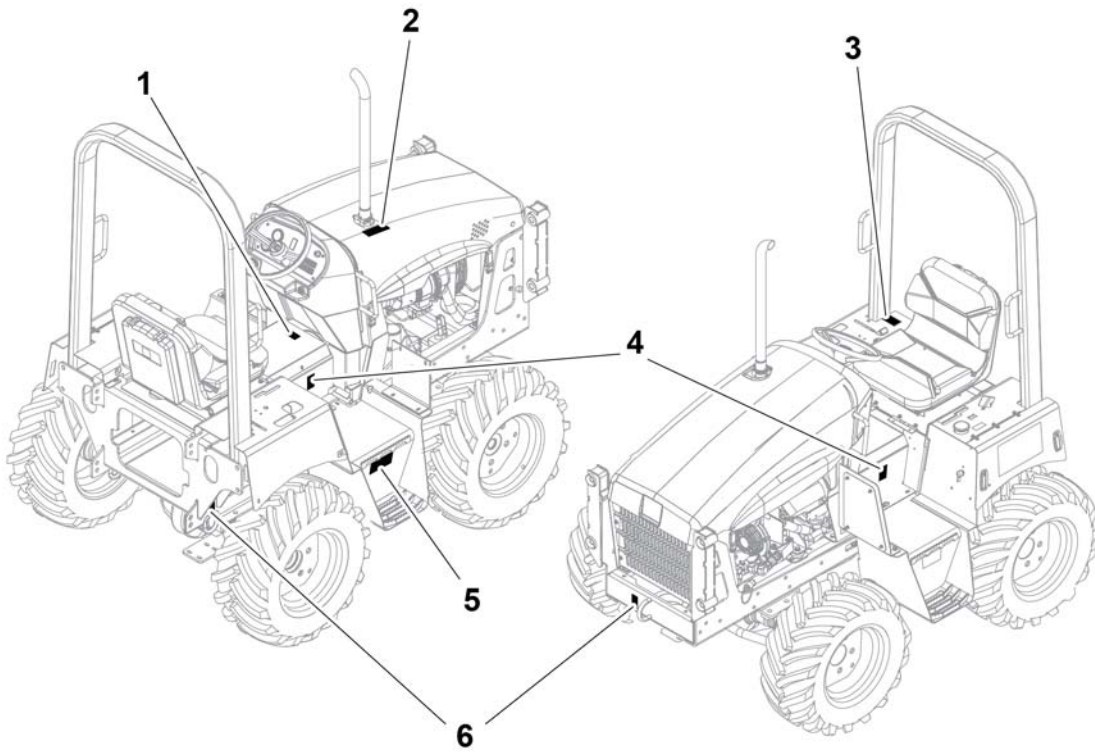
 **CAUTION** indicates a hazardous situation that, if not avoided, could result in minor or moderate injury.

Watch for two other words: **NOTICE** and **IMPORTANT**.

NOTICE indicates information considered important, but not hazard-related (e.g., messages relating to property damage).

IMPORTANT can help you do a better job or make your job easier in some way.

Machine Safety Alerts



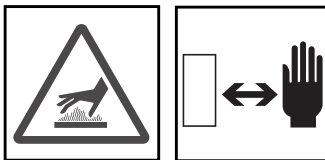
Decal_RT45_T4i.png

1



WARNING Read operator's manual. Know how to use all controls. Your safety is at stake. 273-475

2



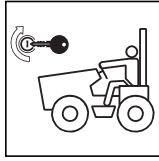
CAUTION Hot parts may cause burns. Do not touch until cool or wear gloves. 273-423

3



WARNING Rollover could kill or crush. Wear seat belt. 275-303

4



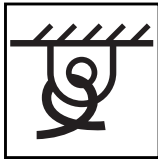
⚠ WARNING Runaway possible. Start from operator's position only. 275-070

5



⚠ WARNING Fall possible. Riders can fall from machine and be injured or killed. Only operator is allowed on machine. 273-487

6

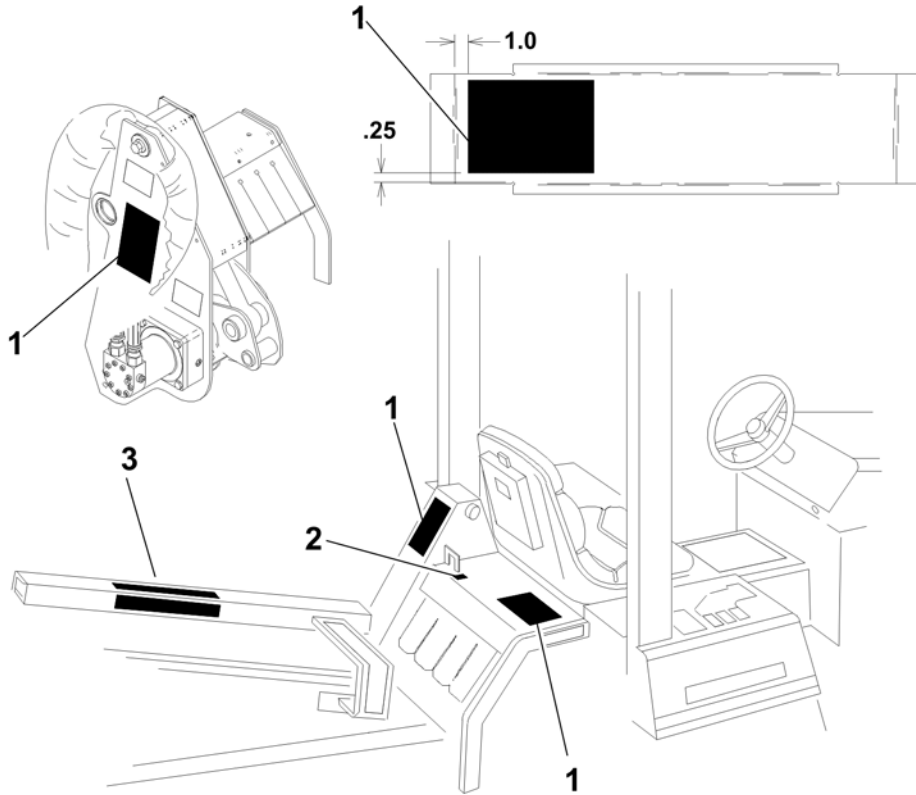


Tiedown location. See Transport chapter for more information.
274-318



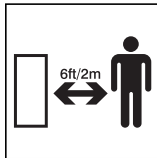
Attachment Safety Alerts

H313



Decal H313 3D

1



⚠ DANGER

Moving digging teeth will cause death or serious injury. Trench cave-in can cause you to fall. Stay away. 274-002

2



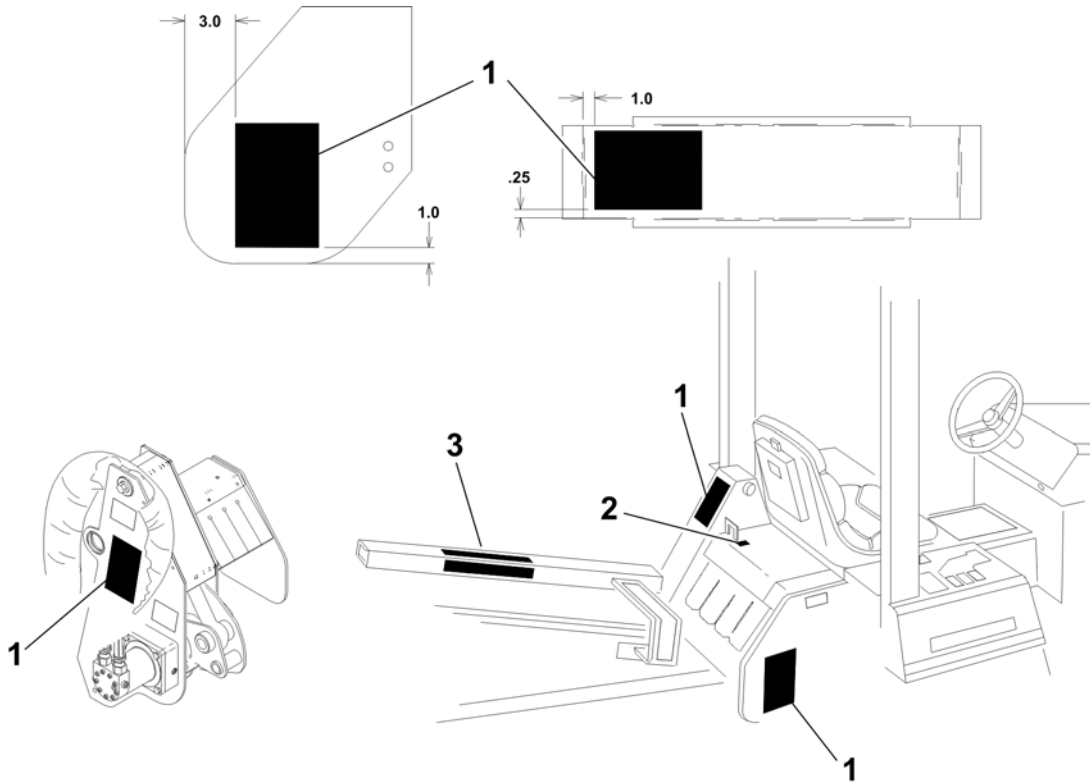
Lift point. See Transport chapter for more information. 274-442

3

⚠ DANGER

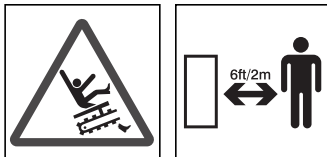
Moving digging teeth will cause death or serious injury. Trench cave-in can cause you to fall. Stay away.

H314



Decal_H314_3D

1



⚠ DANGER Moving digging teeth will cause death or serious injury. Trench cave-in can cause you to fall. Stay away. 274-002

2

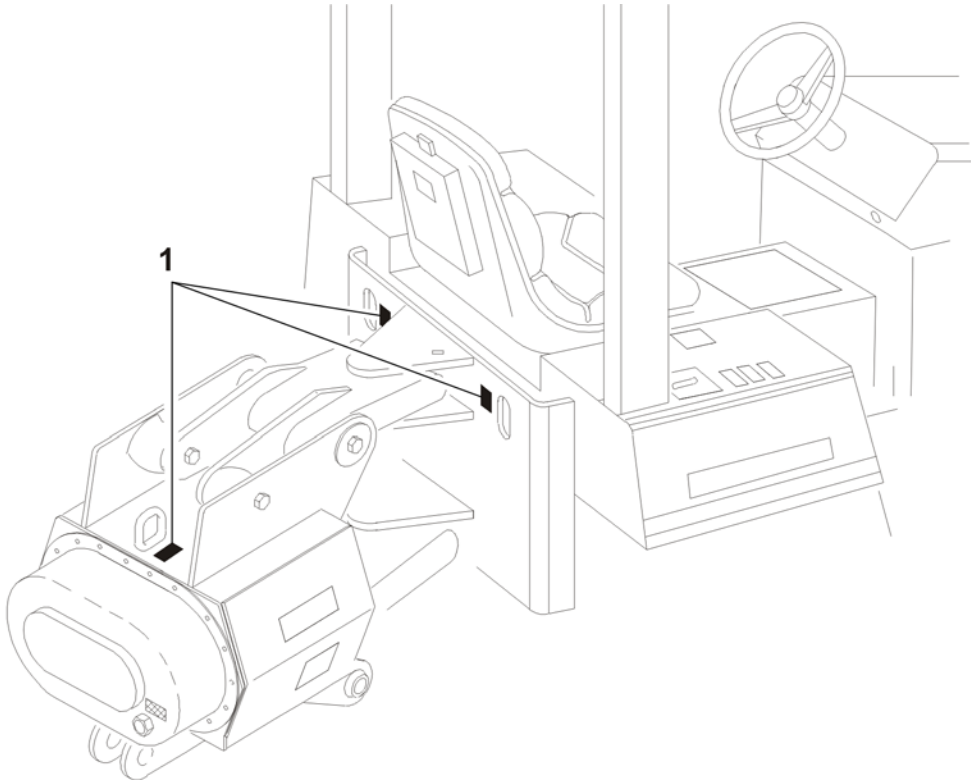


Lift point. See Transport chapter for more information. 274-442

3

⚠ DANGER Moving digging teeth will cause death or serious injury. Trench cave-in can cause you to fall. Stay away.

H331

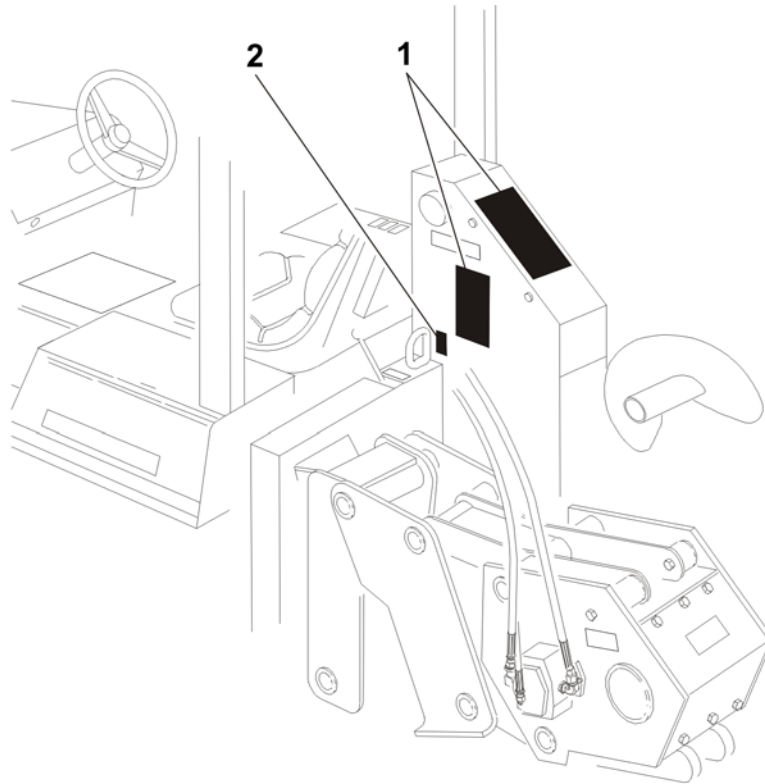


1

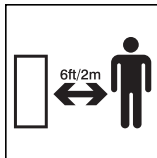


Lift point. See Transport chapter for more information. 274-442

H350



1



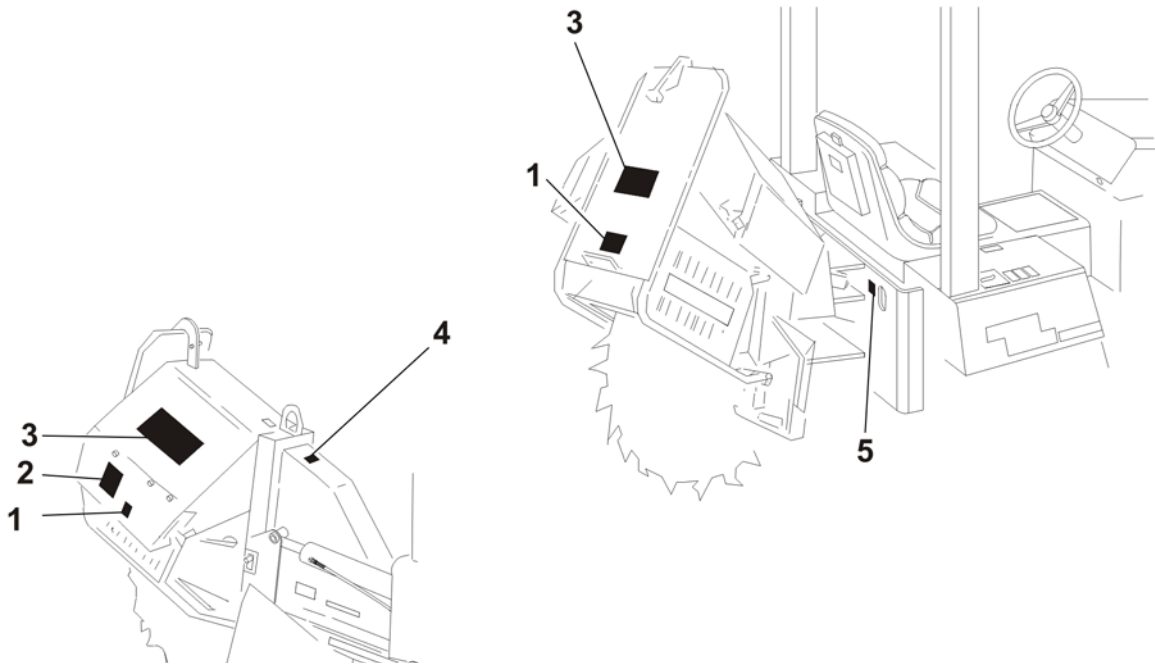
⚠ DANGER Moving digging teeth will cause death or serious injury. Trench cave-in can cause you to fall. Stay away. 274-002

2

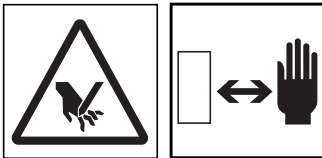


Lift point. See Transport chapter for more information. 274-442

H342



1



WARNING

Moving parts could cut off hand. Keep hands away.

275-184

2

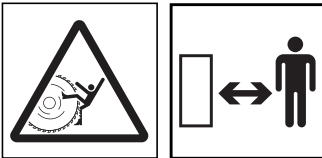


CAUTION

Flying objects thrown by machine may strike people. Wear safety glasses and hard hat.

275-193

3

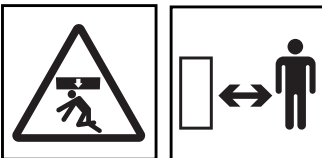


DANGER

Moving digging teeth will cause serious injury or death. Stay away.

275-443

4



WARNING

Crushing weight could cause death or serious injury. Use proper procedures and equipment or stay away.

275-326

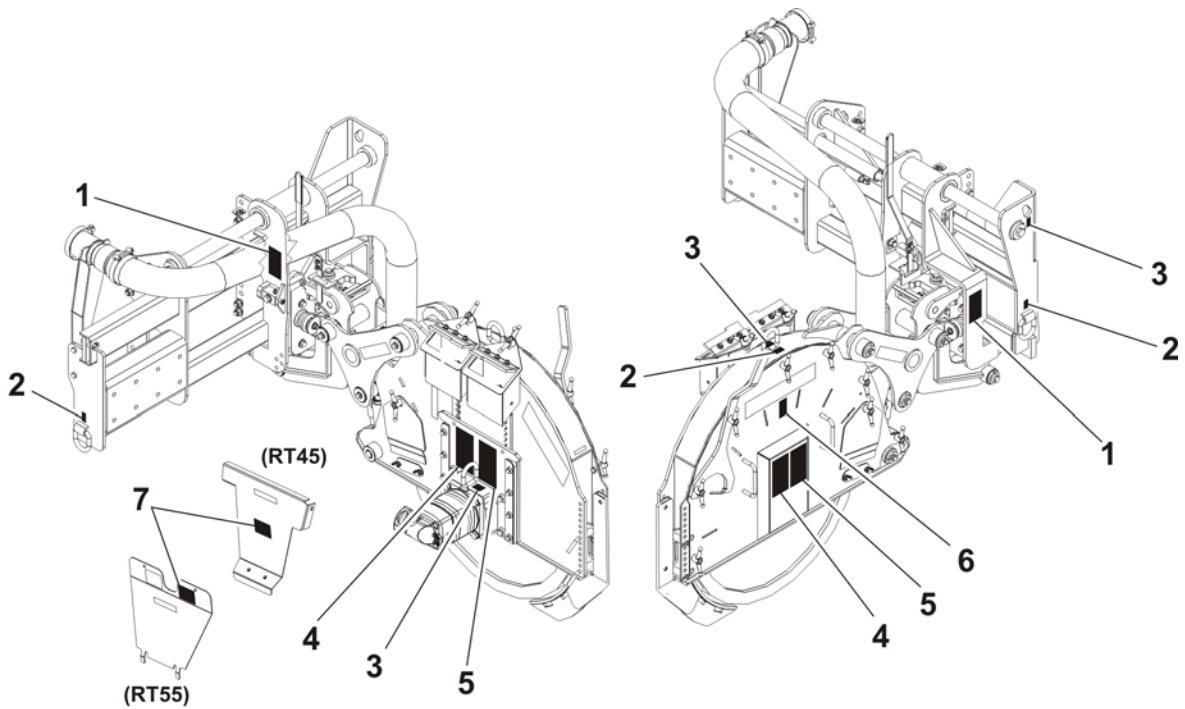
5



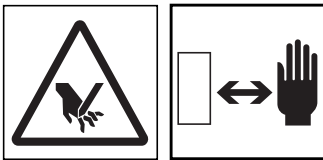
Lift point. See Transport chapter for more information.

274-442

MT12



1



WARNING

Moving parts could cut off hand. Keep hands away.

275-184

2



Tiedown location. See Transport chapter for more information.

274-318

3



Lift point. See Transport chapter for more information.

274-442

4

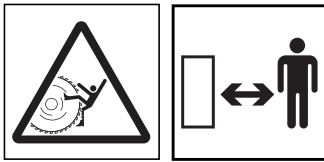


CAUTION

Flying objects thrown by machine may strike people. Wear safety glasses and hard hat.

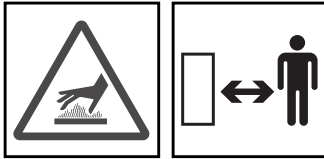
275-193

5



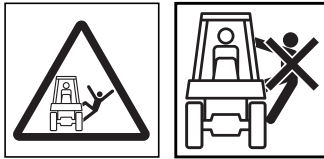
⚠ DANGER Moving digging teeth will cause serious injury or death. Stay away. 275-443

6



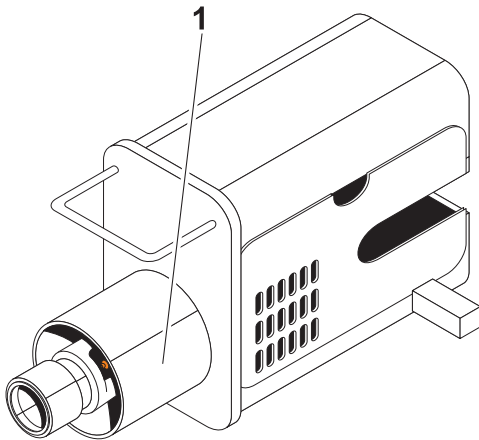
⚠ CAUTION Hot parts may cause burns. Do not touch until cool or wear gloves. 275-355

7

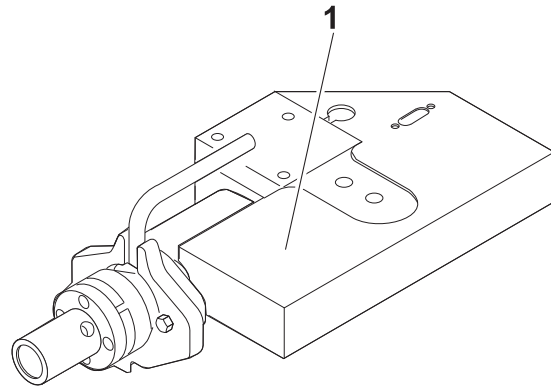


⚠ WARNING Fall possible. Riders can fall from machine and be injured or killed. Only operator is allowed on machine. 273-487

RWIII/RWIV

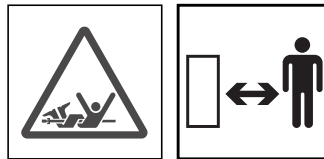


Decal_RW_III



Decal_RW_IV

1



⚠ DANGER Turning shaft will kill you or crush arm or leg. Stay away. 275-197

Controls

Chapter Contents

Center Console 28

- Gauges 28
- Indicators 30
- Controls 33

Right Fender 35

- Tractor Controls 35
- Trencher Controls 38
- Plow Controls 40
- Combo Controls 42
- Saw Controls 44
- Microtrench Controls 46

Left Fender 50

Seat 52

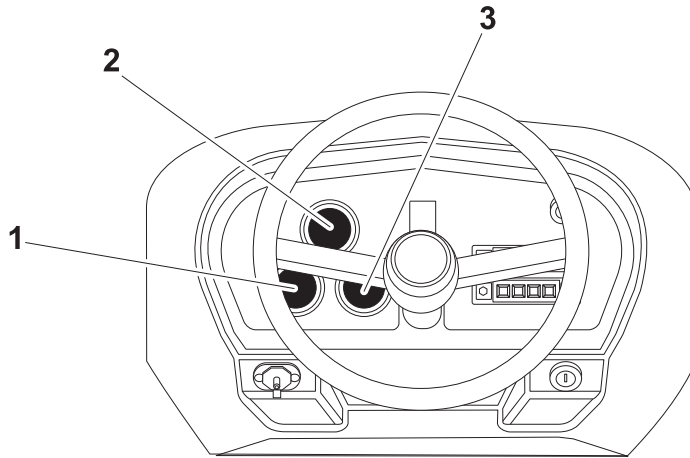
Backhoe Console 53

Engine 57



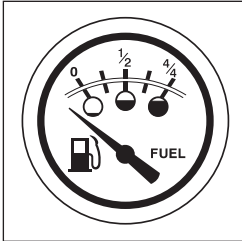
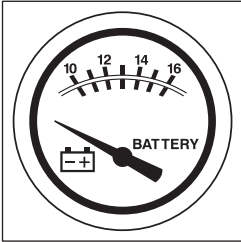
Center Console

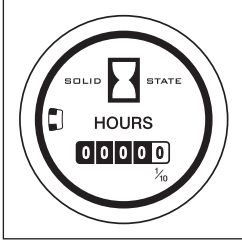
Gauges



t28om001h.eps

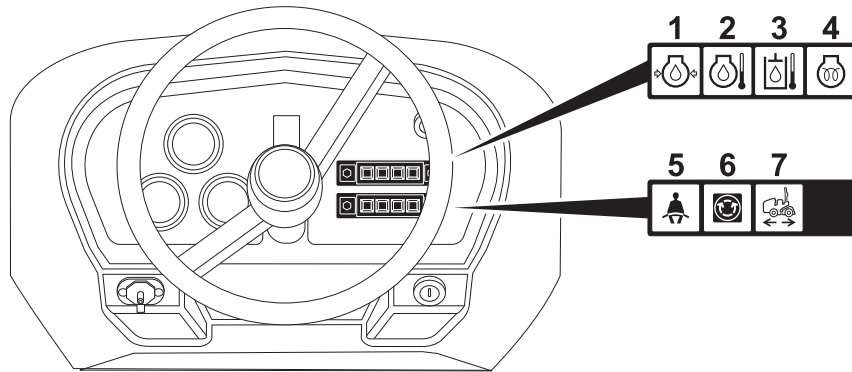
- 1. Fuel gauge
- 2. Voltmeter
- 3. Hourmeter

Item	Description	Notes
<p>1. Fuel gauge</p>  <p>c00ic018h.eps</p>	<p>Displays fuel level in tank.</p>	<p>Fuel tank holds 13 gal (49 L).</p> <p>NOTICE: Use low sulfur or ultra low sulfur fuel only.</p>
<p>2. Voltmeter</p>  <p>c00ic093h.eps</p>	<p>Displays system voltage.</p>	<p>Should show 12-14V with engine running.</p>

Item	Description	Notes
<p>3. Hourmeter</p>  <p>c00ic019h.eps</p>	<p>Records engine operating time.</p>	<p>Use engine operating times to schedule service.</p>

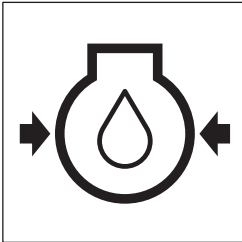


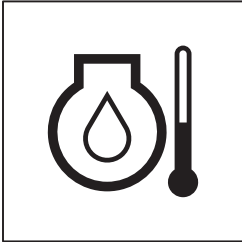
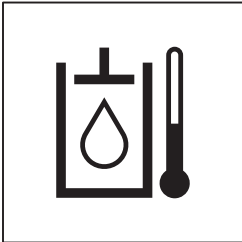
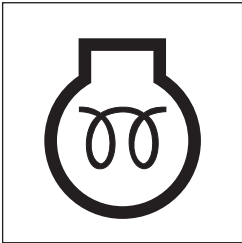

Indicators




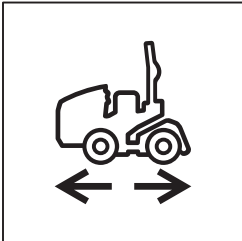
t28om002h.eps

- | | |
|--|---------------------------------------|
| 1. Engine oil pressure indicator | 5. Operator presence indicator |
| 2. Engine oil temperature indicator | 6. Attachment drive neutral indicator |
| 3. Hydraulic fluid temperature indicator | 7. Ground drive neutral indicator |
| 4. Cold start wait indicator* | *optional |

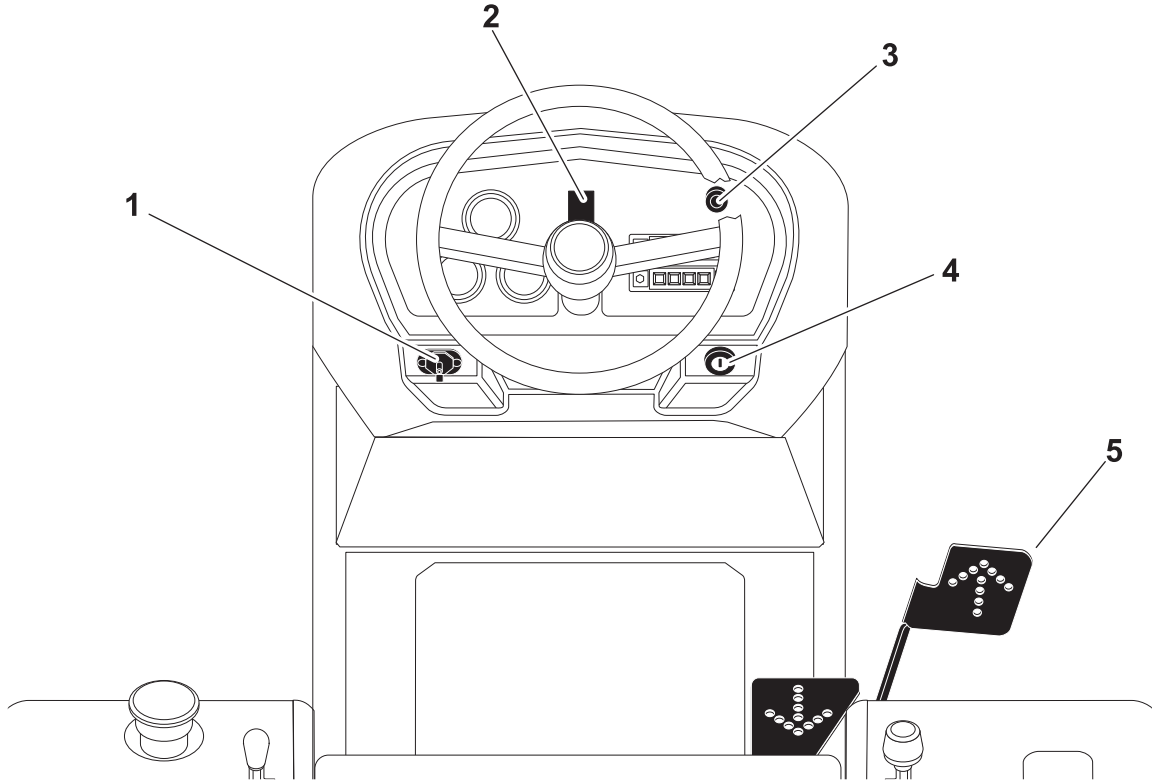
Item	Description	Notes
<p>1. Engine oil pressure indicator</p>  <p>c00ic049c.eps</p>	<p>Lights when oil pressure falls below 8-12 psi (.5-.8 bar). Light will come on briefly when engine is started.</p>	<p>If light remains on:</p> <ul style="list-style-type: none"> • Turn off engine. • Check oil level. • If pressure is still low, consult engine manual.

Item	Description	Notes
<p>2. Engine oil temperature indicator</p>  <p>c00ic097a.eps</p>	<p>Lights and engine shuts down if engine oil temperature rises above 275° F (135° C). Light will come on briefly when engine is started.</p>	<p>If light remains on:</p> <ul style="list-style-type: none"> • Turn engine off and let it cool. • Check fan belt tension. • Check for low engine oil level. • Check cooling fins for dirt and debris.
<p>3. Hydraulic fluid temperature indicator</p>  <p>c00ic098a.eps</p>	<p>Lights is hydraulic fluid overheats. Light will come on briefly when engine is started.</p>	<p>If light remains on:</p> <ul style="list-style-type: none"> • Check that engine fan is turning when engine is running. • Turn off engine and let it cool. • Check hydraulic fluid level. • Check front of hydraulic fluid cooler for debris.
<p>4. Cold start wait indicator</p>  <p>c00ic180h.eps</p>	<p>Lights when intake air pre-heater is operating.</p> <p>Wait until light goes off before starting engine.</p>	
<p>5. Operator presence indicator</p>  <p>c00ic100a.eps</p>	<p>Lights when operator is in seat.</p>	<p>Part of the start interlock system. To start engine:</p> <ul style="list-style-type: none"> • operator must be in seat, • attachment drive control must be in neutral, and • ground drive control must be in neutral.



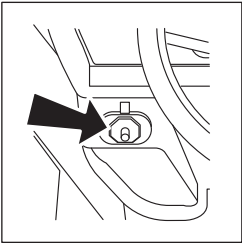
Item	Description	Notes
<p>6. Attachment drive neutral indicator</p>  <p>c00ic101a.eps</p>	<p>Lights when attachment drive/direction control is in neutral.</p>	<p>Part of the start interlock system. To start engine:</p> <ul style="list-style-type: none"> • operator must be in seat, • attachment drive control must be in neutral, and • ground drive control must be in neutral.
<p>7. Ground drive neutral indicator</p>  <p>c00ic102a.eps</p>	<p>Lights when ground drive control is in neutral.</p>	<p>Part of the start interlock system. To start engine:</p> <ul style="list-style-type: none"> • operator must be in seat, • attachment drive control must be in neutral, and <p>ground drive control must be in neutral.</p>

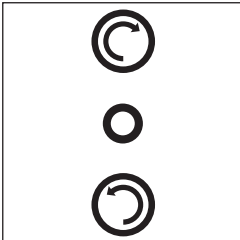
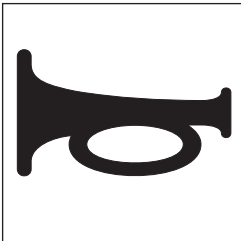
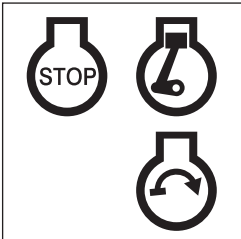
Controls



t28om003h.eps

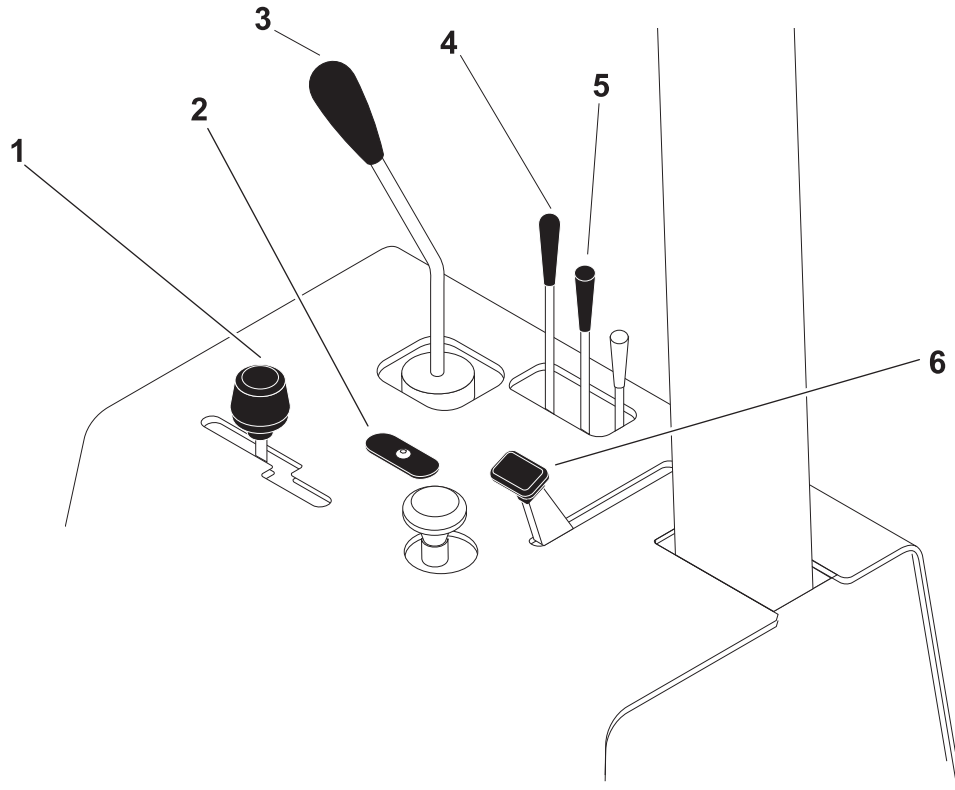
- 1. Auxiliary outlet
 - 2. Drilling attachment control*
 - 3. Horn
 - 4. Ignition switch
 - 5. Ground drive foot control
- *optional

Item	Description	Notes
<p>1. Auxiliary outlet</p>  <p>c00ic075c.eps</p>	<p>Provides power for other equipment.</p>	<p>Power output is 12V, 5A</p>

Item	Description	Notes
<p>2. Drilling attachment control</p>  <p><small>c00ic218h.eps</small></p>	<p>To rotate clockwise, press top.</p> <p>To rotate counterclockwise, press bottom.</p>	<p>NOTICE: Always rotate clockwise during drilling and backreaming. Rotate counterclockwise only to dislodge a dry bore bit or reamer that has seized in the bore hole.</p> <p>For more information about drilling attachment, see "Drill" on page 109.</p>
<p>3. Horn</p>  <p><small>c00ic044h.eps</small></p>	<p>To sound horn, press.</p>	
<p>4. Ignition switch</p>  <p><small>c00ic065h.eps</small></p>	<p>To start engine, insert key and turn clockwise.</p> <p>To stop engine, turn counterclockwise.</p>	<p>If engine does not start on first attempt, check that all start interlock requirements have been met, return switch to STOP, and try again.</p>
<p>5. Ground drive foot control</p>	<p>To move tractor forward, push top of pedal.</p> <p>To move tractor backward, push bottom of pedal.</p> <p>To increase speed in either direction, push pedal farther from center.</p> <p>To stop, release pedal.</p>	<p>Pedal automatically returns to neutral when released.</p>

Right Fender

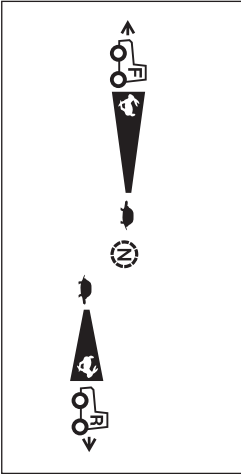
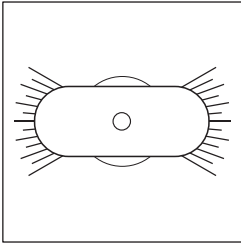
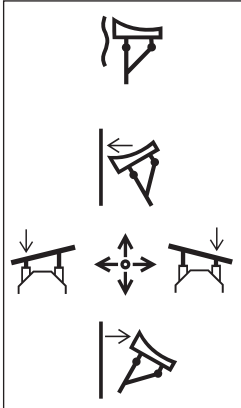
Tractor Controls

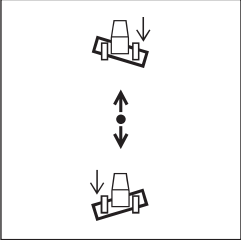
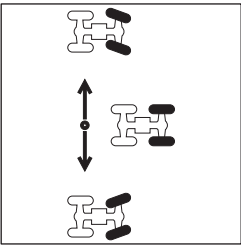
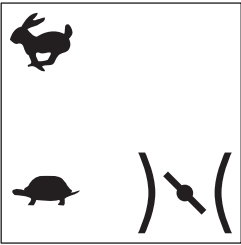


t14om046h.eps

- | | |
|---|---------------------------------|
| 1. Ground drive speed/direction control | 4. Backfill blade tilt control* |
| 2. Rear steer indicator* | 5. Rear steer control* |
| 3. Backfill blade control | 6. Throttle |

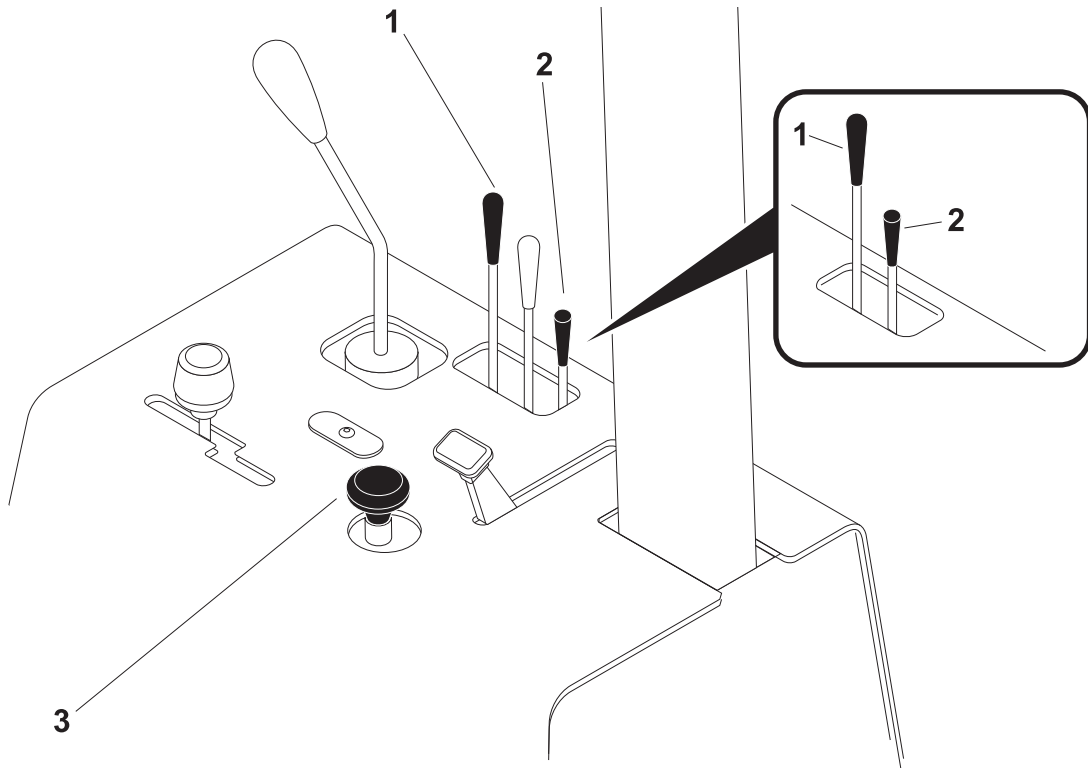
*optional

Item	Description	Notes
<p>1. Ground drive speed/ direction control</p>  <p>c00ic251h.eps</p>	<p>To go forward, push.</p> <p>To go backward, pull.</p> <p>To go faster in either direction, move farther from center.</p> <p>To stop, move to neutral.</p>	<p>Control does not automatically return to neutral position when released.</p>
<p>2. Rear steer indicator</p>  <p>c00ic082c.eps</p>	<p>Rotates to display position of rear wheels.</p>	
<p>3. Backfill blade control</p>  <p>c00ic252h.eps</p>	<p>To lower blade, push.</p> <p>To put blade in float, push fully forward.</p> <p>To raise blade, pull.</p> <p>To swing blade to right, move right.</p> <p>To swing blade to left, move left.</p>	

Item	Description	Notes
<p>4. Backfill blade tilt control</p>  <p>c00ic253h.eps</p>	<p>To tilt right side of blade down, push.</p> <p>To tilt left side of blade down, pull.</p>	
<p>5. Rear steer control</p>  <p>c00ic080c.eps</p>	<p>To turn rear wheels right, push until wheels reach desired position, then release.</p> <p>To turn rear wheels left, pull until wheels reach desired position, then release.</p>	
<p>6. Throttle</p>  <p>c00ic081c.eps</p>	<p>To increase engine speed, push.</p> <p>To decrease engine speed, pull.</p>	



Trencher Controls

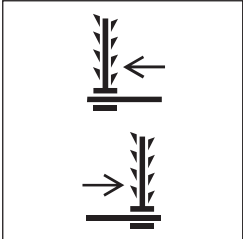


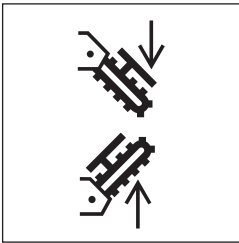
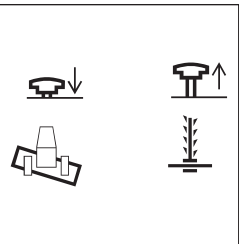
Note: Control configuration with rear steer option is shown in main illustration. Control configuration without rear steer is shown in balloon.

t14om069h.eps

- 1. Trencher slide control*
- 2. Boom lift control

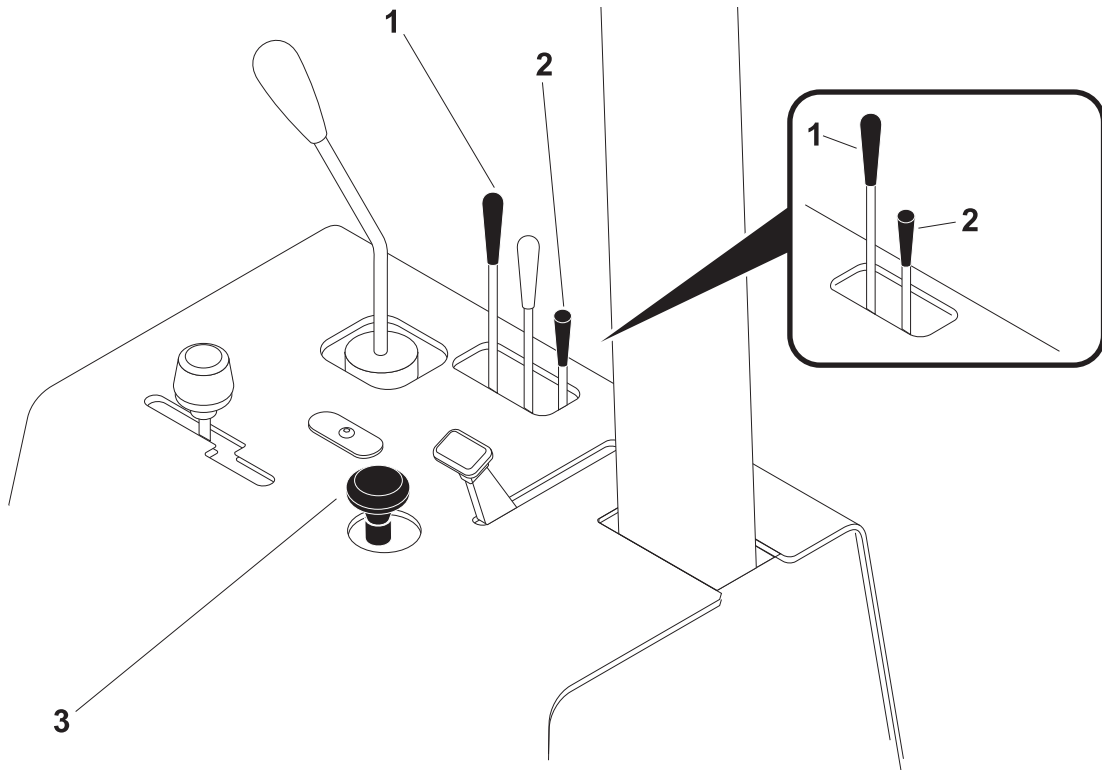
- 3. Backfill blade tilt/trencher slide selector*
- *H314 only

Item	Description	Notes
<p>1. Trencher slide control</p>  <p>c00ic198h.eps</p>	<p>To slide trencher right, push.</p> <p>To slide trencher left, pull.</p>	

Item	Description	Notes
<p>2. Boom lift control</p>  <p>c001c200h.eps</p>	<p>To lower, push.</p> <p>To raise, pull.</p>	
<p>3. Backfill blade tilt/ trencher slide selector</p>  <p>c001c263h.eps</p>	<p>To control backfill blade tilt, push.</p> <p>To control trencher slide, pull.</p>	



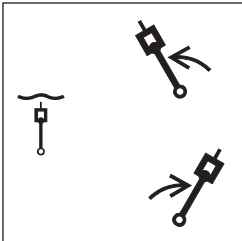
Plow Controls

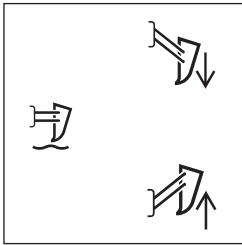
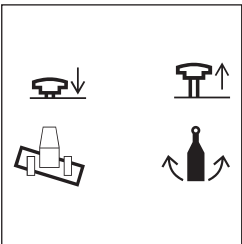


Note: Control configuration with rear steer option is shown in main illustration. Control configuration without rear steer is shown in balloon.

t14om070h.eps

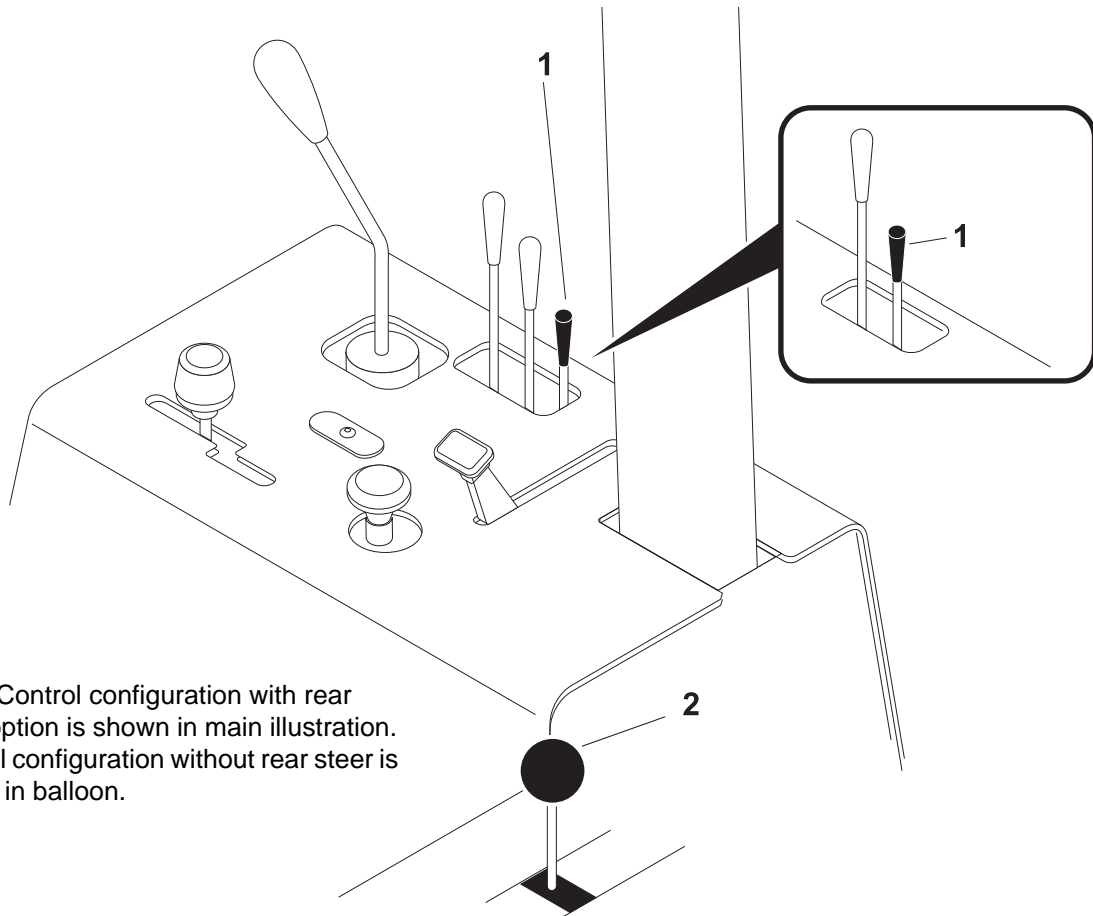
- 1. Plow swing control
- 2. Plow lift control
- 3. Backfill blade tilt/plow swing selector

Item	Description	Notes
<p>1. Plow swing control</p>  <p>c00ic202h.eps</p>	<p>To swing left, pull.</p> <p>To swing right, push.</p>	

Item	Description	Notes
<p>2. Plow lift control</p>  <p>c001c204h.eps</p>	<p>To raise, pull.</p> <p>To lower, push.</p>	
<p>3. Backfill blade tilt/plow swing selector</p>  <p>c001c264h.eps</p>	<p>To control backfill blade tilt, push.</p> <p>To control plow swing, pull.</p>	<p>Use when optional 6-way backfill blade is installed.</p>



Combo Controls

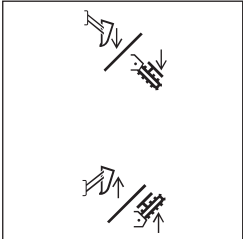


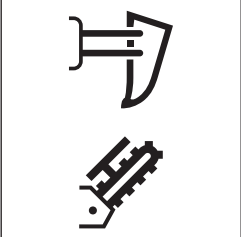
Note: Control configuration with rear steer option is shown in main illustration. Control configuration without rear steer is shown in balloon.

t14om071h.eps

1. Trencher/Plow lift control

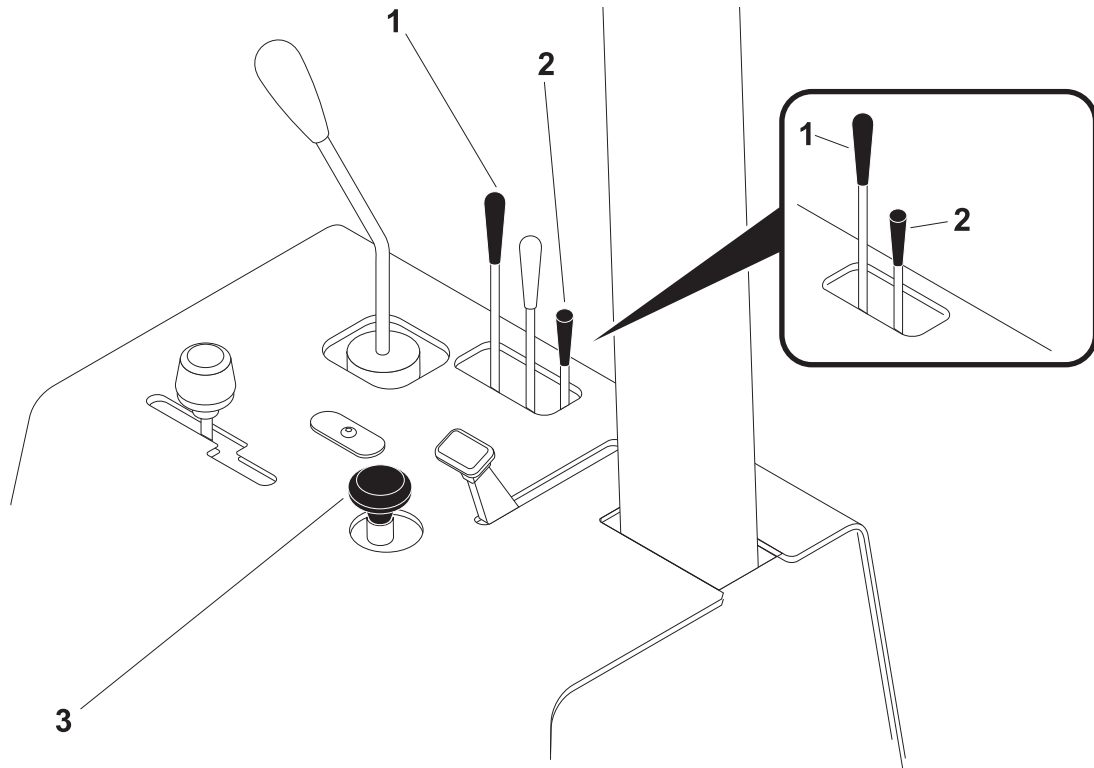
2. Trencher/plow select control

Item	Description	Notes
<p>1. Trencher/Plow lift control</p>  <p>c00ic265h.eps</p>	<p>To raise selected attachment, pull.</p> <p>To lower selected attachment, push.</p>	

Item	Description	Notes
<p>2. Trencher/plow select control</p>  <p>c00ic090c.eps</p>	<p>To select plow, push.</p> <p>To select trencher, pull.</p>	



Saw Controls

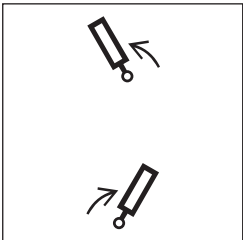


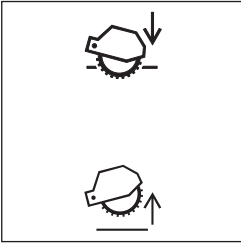
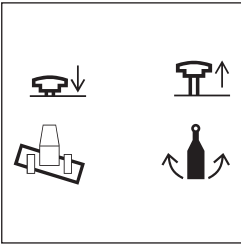
Note: Control configuration with rear steer option is shown in main illustration. Control configuration without rear steer is shown in balloon.

t14om072h.eps

- 1. Saw swing control
- 2. Saw lift control

- 3. Backfill blade tilt/saw swing selector

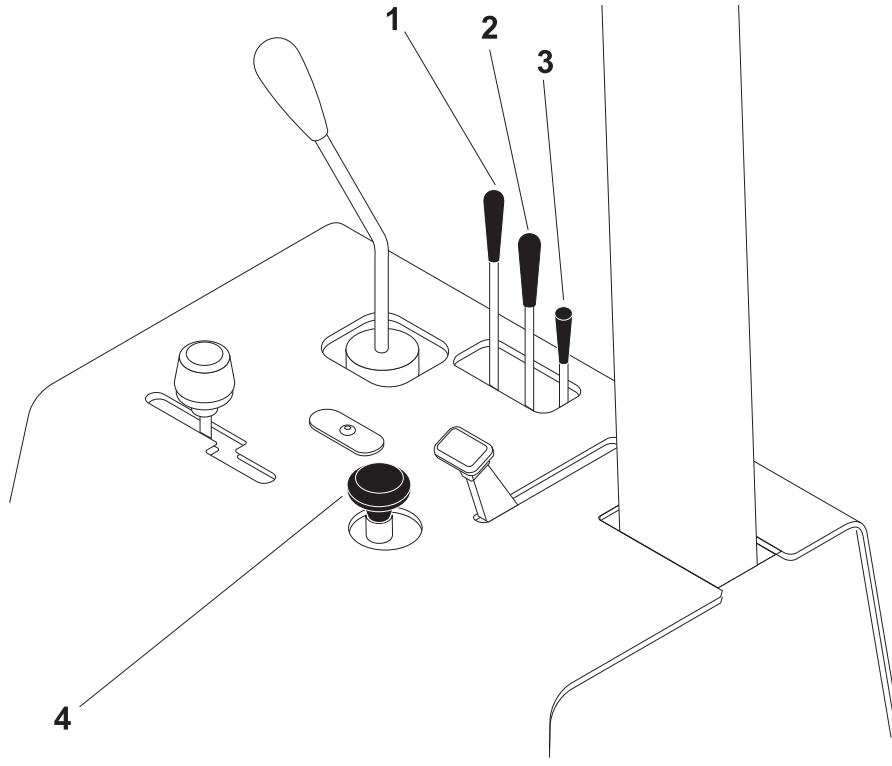
Item	Description	Notes
<p>1. Saw swing control</p>  <p>c00ic266h.eps</p>	<p>To swing saw to left, pull.</p> <p>To swing saw to right, push.</p>	

Item	Description	Notes
<p>2. Saw lift control</p>  <p>c001c267h.eps</p>	<p>To lower, push.</p> <p>To raise, pull.</p>	
<p>3. Backfill blade tilt/saw swing selector</p>  <p>c001c264h.eps</p>	<p>To control backfill blade tilt, push.</p> <p>To control saw swing, pull.</p>	



Microtrencher Controls

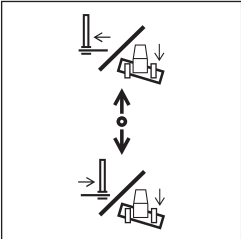
Tractor

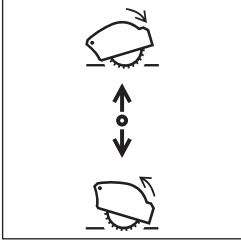
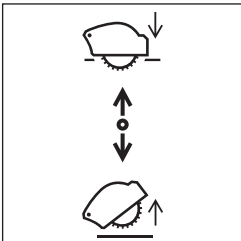
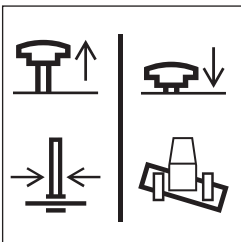


t28om063h.eps

- 1. Traverse (slide) control
- 2. Level control

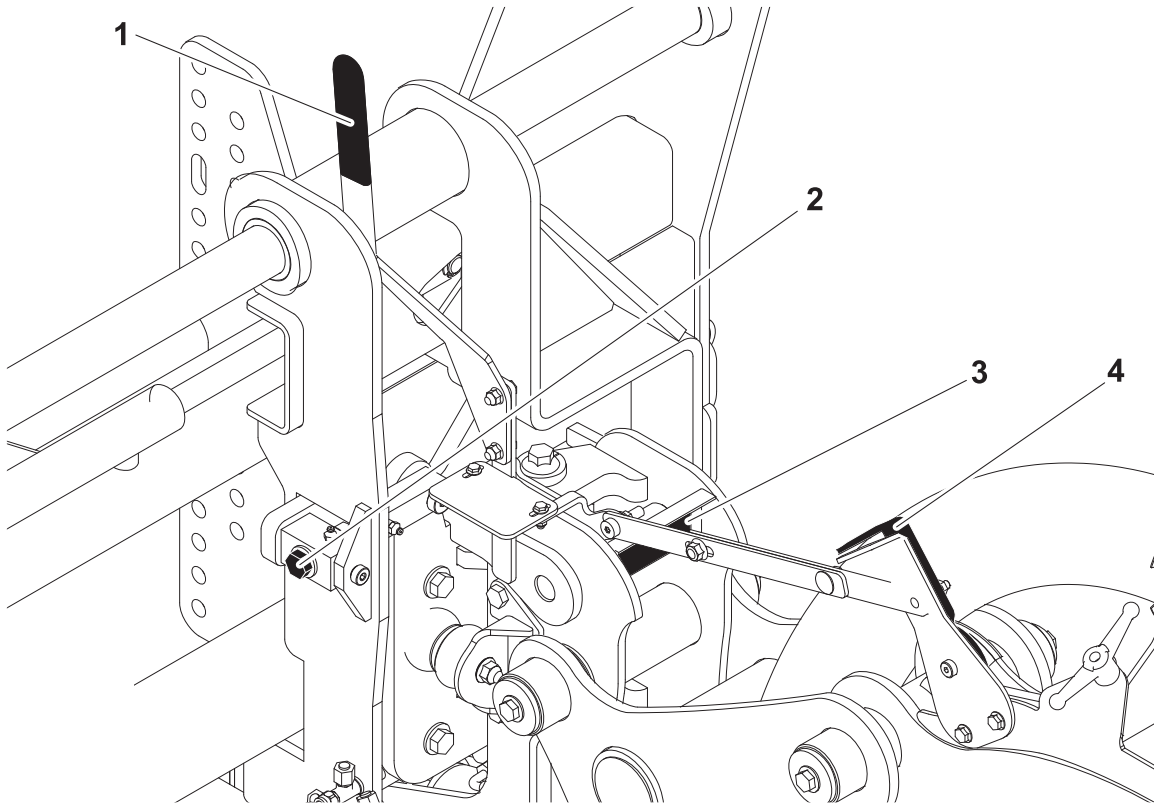
- 3. Lift control
- 4. Backfill blade tilt / Traverse selector

Item	Description	Notes
<p>1. Traverse (slide) control</p>  <p>c00ic589h.eps</p>	<p>To slide microtrencher right, push.</p> <p>To slide microtrencher left, pull.</p>	

Item	Description	Notes
<p>2. Level control</p>  <p>c00ic590h.eps</p>	<p>To lower rear of microtrencher, push.</p> <p>To raise rear of microtrencher, pull.</p>	
<p>3. Lift control</p>  <p>c00ic591h.eps</p>	<p>To lower, push.</p> <p>To raise, pull.</p>	
<p>4. Backfill blade tilt / Traverse selector</p>  <p>c00ic593h.eps</p>	<p>To control backfill blade tilt, push.</p> <p>To control microtrencher traverse, pull.</p>	<p>Use when optional 6-way backfill blade is installed.</p>

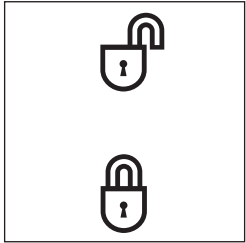


MT12 MicroTrencher Attachment



t28om064h.eps

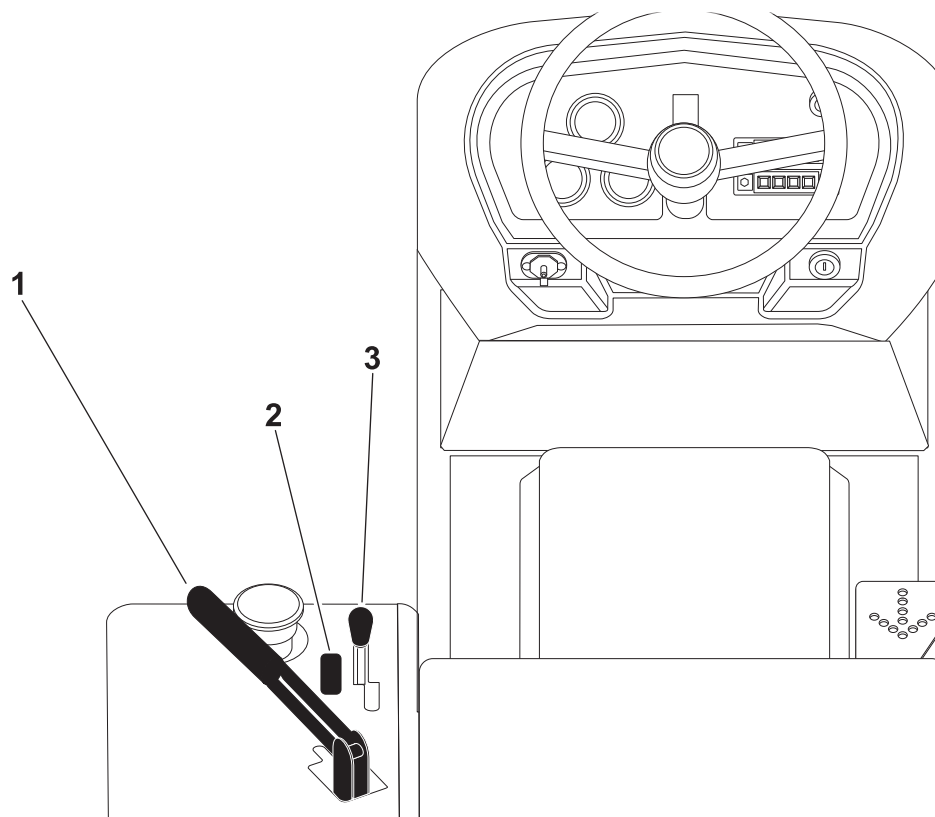
- | | |
|---|---|
| <ul style="list-style-type: none"> 1. Swing lock handle 2. Manual tilt adjustment | <ul style="list-style-type: none"> 3. Bubble level 4. Level indicator |
|---|---|

Item	Description	Notes
<p>1. Saw swing lock handle</p> <div style="border: 1px solid black; padding: 5px; width: fit-content; margin: 10px auto;">  </div> <p style="font-size: small; margin-top: 5px;">c00ic592h.eps</p>	<p>To lock, move handle toward tractor.</p> <p>To unlock, move handle toward microtrencher.</p>	<p>Operate with microtrencher locked in most situations.</p>
<p>2. Manual tilt adjustment</p>	<p>Turn screw in to adjust angle left.</p> <p>Turn screw out to adjust angle right.</p>	<p>Use manual tilt adjustment and bubble level together to adjust microtrencher to match jobsite conditions.</p> <p>See "Adjust Tilt" on page 117.</p>

Item	Description	Notes
3. Bubble level	Displays left-to-right microtrencher angle.	Use manual tilt adjustment and bubble level together to adjust microtrencher to match jobsite conditions. See "Adjust Tilt" on page 117.
4. Level indicator	Indicates when base of microtrencher is level with pavement.	Use lift and level controls together to adjust microtrencher base until it is flat on pavement.



Left Fender



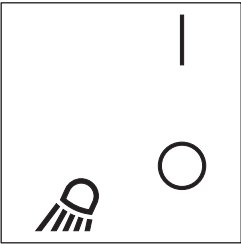
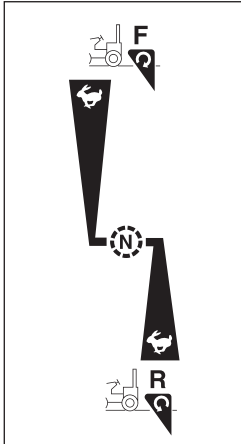
t28om004h.eps

- 1. Parking brake
- 2. Work light switch*

- 3. Attachment speed/direction control

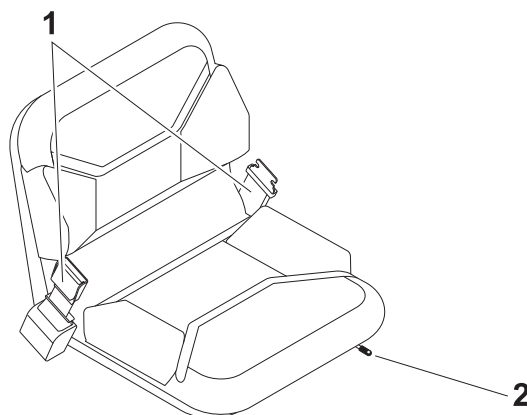
* optional

Item	Description	Notes
<p>1. Parking brake</p> <div data-bbox="251 1486 492 1730" style="border: 1px solid black; padding: 5px; width: fit-content;"> </div> <p>c00ic268h.eps</p>	<p>To set, pull.</p> <p>To release, push.</p>	

Item	Description	Notes
<p>2. Work light switch</p>  <p>c00ic077c.eps</p>	<p>To turn on, press top.</p> <p>To turn off, press bottom.</p>	
<p>3. Attachment speed/direction control</p>  <p>c00ic254h.eps</p>	<p>To rotate attachment forward or to start plow vibrator box, push.</p> <p>To rotate attachment backward, pull.</p> <p>To go faster in either direction, move farther from center.</p> <p>To stop attachment rotation or plow vibrator box, move to neutral.</p>	<p>Control does not return to neutral when released.</p> <p>NOTICE: When operating plow, do not pull control to reverse. Operating plow in reverse could cause damage to equipment.</p>



Seat



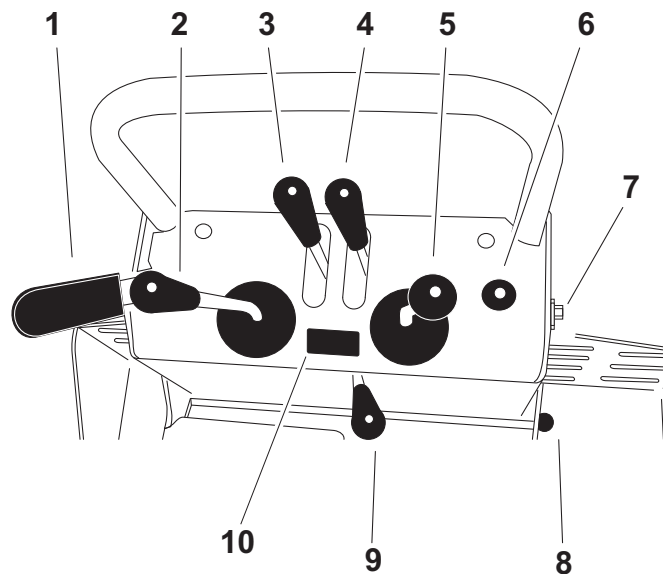
t14om053h.eps

1. Seat belt

2. Seat slide control

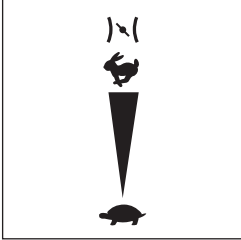
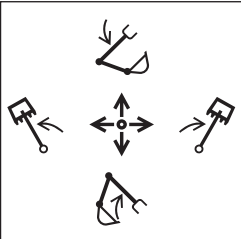
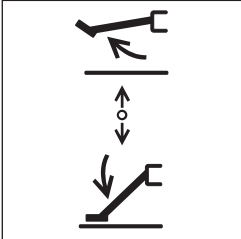
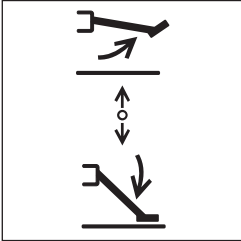
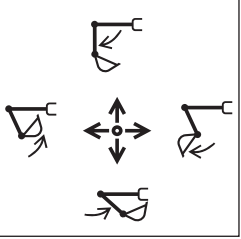
Item	Description	Notes
<p>1. Seat belt</p>	<p>To fasten, insert latch into buckle. Adjust until seat belt is low and tight.</p> <p>To release, lift top of buckle.</p>	
<p>2. Seat slide control</p>	<p>To slide seat forward or backward, pull or push left, then adjust seat.</p> <p>To lock seat in place, release.</p>	

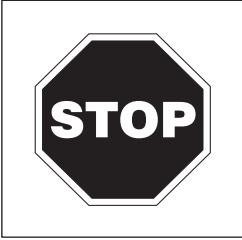
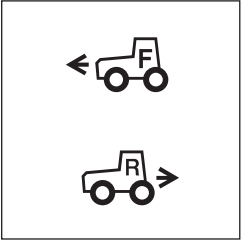
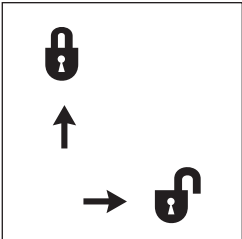
Backhoe Console



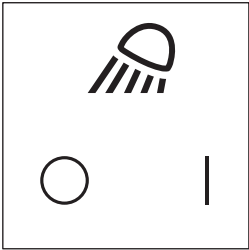
t14om073h.eps

- | | |
|------------------------------|---|
| 1. Remote throttle | 7. Seat latch |
| 2. Boom/Swing control | 8. Neutral switch (standard) or
Remote ground drive control (optional) |
| 3. Left stabilizer control | 9. Mechanical stow lock control |
| 4. Right stabilizer control | 10. Work light switch* |
| 5. Bucket/Dipper control | |
| 6. Remote engine stop switch | *optional |

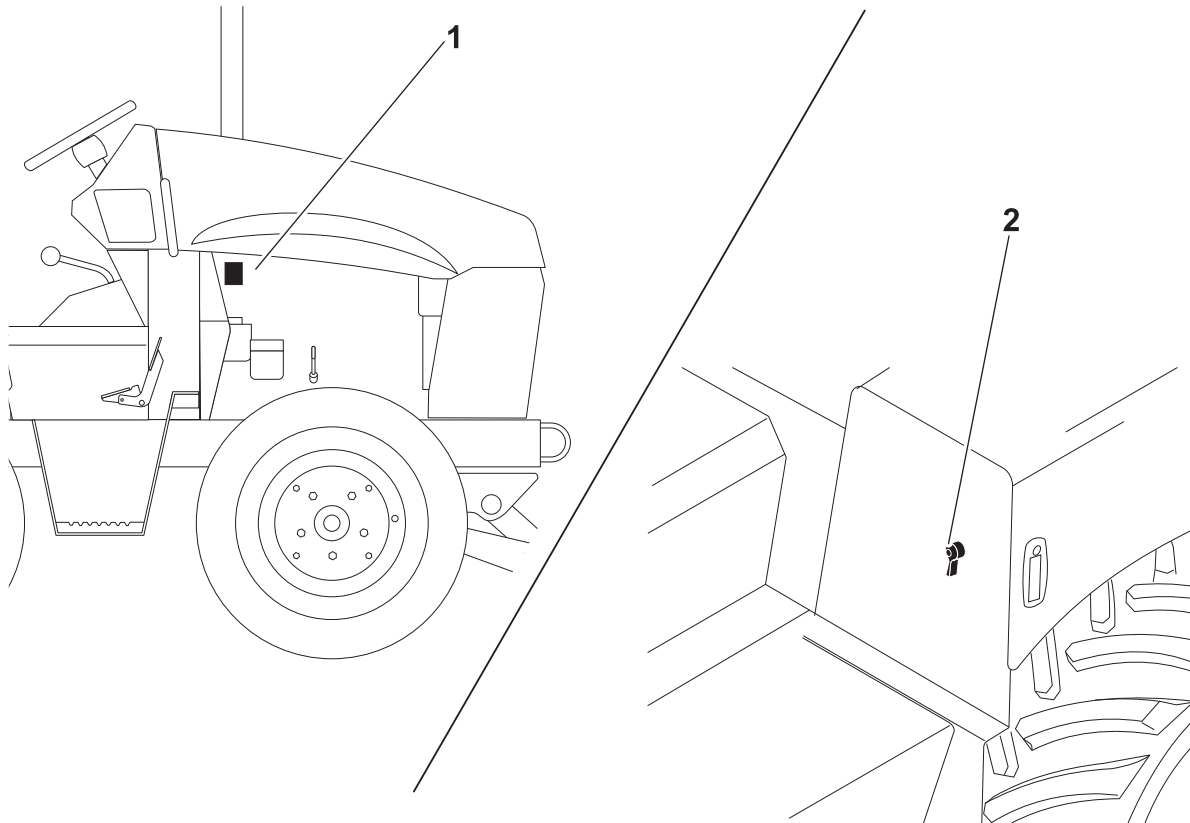
Item	Description	Notes
<p>1. Remote throttle</p>  <p>c00ic116h.eps</p>	<p>To increase engine speed, push.</p> <p>To decrease engine speed, pull.</p>	
<p>2. Boom/Swing control</p>  <p>c00ic212h.eps</p>	<p>To swing boom left, move left.</p> <p>To swing boom right, move right.</p> <p>To raise boom, pull.</p> <p>To lower boom, push.</p>	<p>Control can perform more than one action at a time. By "feathering" the control, operator can combine backhoe operations.</p> <p>NOTICE: Do not operate with backhoe in the stowed (upright) position. Component failure could occur.</p>
<p>3. Left stabilizer control</p>  <p>c00ic030h.eps</p>	<p>To lower, pull.</p> <p>To raise, push.</p>	
<p>4. Right stabilizer control</p>  <p>c00ic029h.eps</p>	<p>To lower, pull.</p> <p>To raise, push.</p>	
<p>5. Bucket/Dipper control</p>  <p>c00ic213h.eps</p>	<p>To open bucket, move right.</p> <p>To close bucket, move left.</p> <p>To move dipper in, pull.</p> <p>To move dipper out, push.</p>	<p>Control can perform more than one action at a time. By "feathering" the control, operator can combine backhoe operations.</p>

Item	Description	Notes
<p>6. Remote engine stop switch</p>  <p>c00ic085c.eps</p>	<p>Stops engine immediately.</p>	<p>IMPORTANT:</p> <ul style="list-style-type: none"> Except in an emergency, move throttle to idle before using stop switch. For normal engine shutdown, use ignition switch.
<p>7. Seat latch</p>	<p>To release backhoe seat, disengage lock by moving hole in latch clear of bolt.</p>	<p>IMPORTANT: Ensure seat is latched before driving unit.</p> <p>See "Backhoe" on page 99 for more information.</p>
<p>8. Neutral switch (standard)</p> <p>Remote ground drive control (optional)</p>  <p>c00ic216h.eps</p>	<p>To move tractor forward, press switch, use bucket/dipper control to move tractor, and release switch.</p> <p>To move tractor forward, press top.</p> <p>To move tractor backward, press bottom.</p>	<p>NOTICE: Do not use this method to move tractor more than a few feet.</p> <p>NOTICE:</p> <ul style="list-style-type: none"> Ensure that backfill blade and stabilizers are raised before operating this control. Do not move more than 30' (10 m) at a time.
<p>9. Mechanical stow lock control</p>  <p>c00ic269h.eps</p>	<p>To lock, push stow lock handle.</p> <p>To unlock, move stow lock handle to right.</p>	<p>Use this control to lock boom in the stowed position.</p> <p>NOTICE: Always lock boom during transport.</p>



Item	Description	Notes
<p>10. Work light switch</p>  <p>c00ic086c.eps</p>	<p>To turn on, press right.</p> <p>To turn off, press left.</p>	

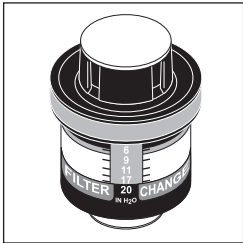
Engine

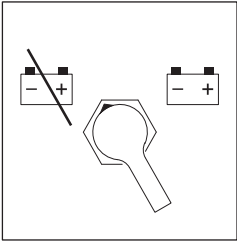


t28om006h.eps

1. Air filter restriction indicator

2. Battery disconnect switch

Item	Description	Notes
<p>1. Air filter restriction indicator</p>  <p>c00ic567h.eps</p>	<p>When restriction indicator reaches the red zone, change air filter.</p> <p>Reset after replacing filter.</p>	<p>For more information, See "Check Air Filter Restriction Indicator" on page 142.</p>

Item	Description	Notes
<p>2. Battery disconnect switch</p>  <p>c00ic097h.eps</p>	<p>To disconnect, move switch so that indicator points left.</p> <p>To connect, move switch so that indicator points right.</p>	

Operation Overview

Chapter Contents

Planning..... 60

Trenching..... 60

Plowing 60

Sawing 61

Drilling 61

Digging with Backhoe 62

Microtrenching 62

Leaving Jobsite..... 62



Planning

1. Gather information about jobsite. See page 64.
2. Inspect jobsite. See page 65.
3. Classify jobsite. See page 66.
4. Select chain and teeth to match your soil type, if necessary. See page 126.
5. Check supplies and prepare equipment. See page 68.
6. Haul equipment to jobsite. See page 79.

Trenching

1. Start unit. See page 70.
2. Position tractor and controls. See page 84.
3. Begin trenching. See page 85.
4. Complete the installation. See page 85.
5. Backfill the trench. See page 132.
6. Shut down tractor. See page 72.

Plowing

1. Start unit. See page 70.
2. Position tractor and controls. See page 89.
3. Attach product. See page 89.
4. Begin plowing. See page 92.
5. Complete the installation. See page 92.
6. Shut down tractor. See page 72.

Sawing

1. Start unit. See page 70.
2. Position tractor and controls. See page 94.
3. Begin sawing. See page 97.
4. Complete the installation. See page 97.
5. Backfill the trench. See page 132.
6. Shut down tractor. See page 72.

Drilling

1. Start unit. See page 70.
2. Dig approach trench and target trench. See page 107.
3. Assemble drill string and position tractor. See page 107.
4. Begin drilling. See page 109.
5. Use drill string guide as needed. See page 110.
6. Add rod. See page 111.
7. Backream. See page 111.
8. Shut down tractor. See page 72.
9. Disassemble joints. See page 112.



Digging with Backhoe

1. Start unit. See page 70.
2. Set stabilizers and unstow backhoe. See page 100.
3. Excavate. See page 101.
4. Stow backhoe properly. See page 102.
5. Shut down tractor. See page 72.

Microtrenching

1. Start unit. See page 70.
2. Position tractor and controls. See page 114.
3. Begin trenching. See page 121.
4. Complete the installation. See page 122.
5. Backfill the trench. See page 132.
6. Shut down tractor. See page 72.

Leaving Jobsite

1. Backfill if necessary. See page 132.
2. Rinse equipment. See page 132.
3. Stow tools. See page 132.
4. Haul equipment away from jobsite. See page 79.

Prepare

Chapter Contents

Gather Information 64

- Review Job Plan 64
- Notify One-Call Services 64
- Arrange for Traffic Control 64
- Plan for Emergency Services 64

Inspect Site 65

- Identify Hazards 65

Classify Jobsite 66

- Inspect Jobsite 66
- Select a Classification 66
- Apply Precautions 67

Check Supplies and Prepare Equipment 68

- Supplies 68
- Fluid Levels 68
- Condition and Function 68
- Accessories 68



Gather Information

A successful job begins before you dig. The first step in planning is reviewing information already available about the job and jobsite.

Review Job Plan

Review blueprints or other plans. Check for information about existing or planned structures, elevations, or proposed work that may be taking place at the same time.

Notify One-Call Services

Contact your local One-Call (811 in USA) or the One-Call referral number (888-258-0808 in USA and Canada) to have underground utilities located before digging. Also contact any utilities that do not participate in the One-Call service.

Arrange for Traffic Control

If working near a road or other traffic area, contact local authorities about safety procedures and regulations.

Plan for Emergency Services

Have the telephone numbers for local emergency and medical facilities on hand. Check that you will have access to a telephone.

Inspect Site

Inspect jobsite before transporting equipment. Check for the following:

- changes in elevation such as hills or other open trenches
- obstacles such as buildings, railroad crossings, or streams
- signs of utilities (See "Inspect Jobsite" on page 66.)
- traffic
- access
- soil type and condition

Identify Hazards

Identify safety hazards and classify jobsite. See "Classify Jobsite" on page 66.



⚠ WARNING

Jobsite hazards could cause death or serious injury. Use correct equipment and work methods. Use and maintain proper safety equipment.



To help avoid injury:

- Wear personal protective equipment including hard hat, safety eye wear, and hearing protection.
- Do not wear jewelry or loose clothing.
- Notify One-Call and companies which do not subscribe to One-Call.
- Comply with all utility notification regulations before digging or drilling.
- Verify location of previously marked underground hazards.
- Mark jobsite clearly and keep spectators away.

Remember, jobsite is classified by hazards in place -- not by line being installed.

Classify Jobsite

Inspect Jobsite

- Follow U.S. Department of Labor regulations on excavating and trenching (Part 1926, Subpart P) and other similar regulations.
- Contact your local One-Call (811 in USA) or the One-Call referral number (888-258-0808 in USA and Canada) to have underground utilities located before digging. Also contact any utilities that do not participate in the One-Call service.
- Inspect jobsite and perimeter for evidence of underground hazards, such as:
 - “buried utility” notices
 - utility facilities without overhead lines
 - gas or water meters
 - junction boxes
 - drop boxes
 - light poles
 - manhole covers
 - sunken ground
- Have an experienced locating equipment operator sweep area within 20' (6 m) to each side of trench path. Verify previously marked line and cable locations.
- Mark location of all buried utilities and obstructions.
- Classify jobsite.

Select a Classification

Jobsites are classified according to underground hazards present.

If working . . .	then classify jobsite as . . .
within 10' (3 m) of a buried electric line	electric
within 10' (3 m) of a natural gas line	natural gas
in sand, granite, or concrete which is capable of producing crystalline silica (quartz) dust	crystalline silica (quartz) dust
within 10' (3 m) of any other hazard	other

IMPORTANT: If you have any doubt about jobsite classification, or if jobsite might contain unmarked hazards, take steps outlined previously to identify hazards and classify jobsite before working.

Apply Precautions

Once classified, precautions appropriate for jobsite must be taken.

Electric Jobsite Precautions

Use one or both of these methods.

- Expose line by careful hand digging or soft excavation.
- Have service shut down while work is in progress. Have electric company test lines before returning them to service.

Natural Gas Jobsite Precautions

In addition to positioning equipment upwind from gas lines, use one or both of these methods.

- Expose lines by careful hand digging or soft excavation.
- Have gas shut off while work is in progress. Have gas company test lines before returning them to service.



Crystalline Silica (Quartz) Dust Precautions

Crystalline silica dust is a naturally occurring substance found in soil, sand, concrete, granite, and quartz. Breathing silica dust particles while cutting, drilling, or working materials may cause lung disease or cancer. To reduce exposure:

- Use water spray or other means to control dust.
- Refer to U.S. Department of Labor Occupational Safety and Health Administration guidelines to learn more about appropriate breathing protection and permissible exposure limits.

Other Jobsite Precautions

You may need to use different methods to safely avoid other underground hazards. Talk with those knowledgeable about hazards present at each site to determine which precautions should be taken or if job should be attempted.

Check Supplies and Prepare Equipment

Supplies

- fuel
- keys
- personal protective equipment, such as hard hat and safety glasses

Fluid Levels

- fuel
- hydraulic fluid
- battery charge
- engine oil

Condition and Function

- digging chain and teeth
- fan belts
- light bulbs
- filters (air, oil, hydraulic)
- tires
- pumps and motors
- hoses and valves
- signs, guards, and shields

Accessories

Fire Extinguisher

If required, mount a fire extinguisher near the power unit but away from possible points of ignition. The fire extinguisher should always be classified for both oil and electric fires. It should meet legal and regulatory requirements.

Drive

Chapter Contents

Start Unit 70

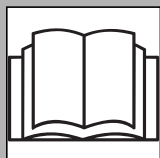
Drive 72

Shut Down 72



Start Unit

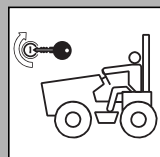
Before operating tractor, read engine manufacturer's starting and operating instructions. Follow instructions for new engine break-in.



WARNING Read operator's manual. Know how to use all controls. Your safety is at stake. 273-475

To help avoid injury:

- Read operator's manual before operating equipment. Follow instructions carefully. Contact Ditch Witch® dealership for operation information or demonstration.
- Wear hard hat, safety glasses, and other protective equipment required by job. Do not wear jewelry or loose clothing that can catch on controls.



WARNING Runaway possible. Machine could run over you or others. Learn how to use all controls. Start and operate only from operator's position. 275-070



WARNING Rollover possible. If machine rolls over, you could be thrown from seat and killed or crushed. Wear seat belt. 275-303

1. Fasten and adjust seat belt.
2. Check that ground drive control and attachment speed/direction control are in neutral.
3. Move throttle to idle.
4. Verify that parking brake is engaged.
5. Turn ignition switch to the run position (key on, engine off). Cold start wait indicator will light (if equipped).

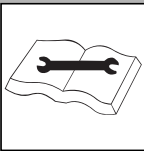


⚠ WARNING

Explosion possible. Serious injury or equipment damage could occur. Follow directions carefully.

To help avoid injury: Do not use ether or any other type of aerosol starting fluid when unit is equipped with cold start option.

6. When cold start wait indicator goes off, turn ignition switch all the way clockwise to start tractor. Warning alarm will sound. Indicators will light.
 - If engine does not crank, check start interlock display. See page 30 for start interlock information.
 - If engine turns but does not start within 10 seconds, allow starter to cool before trying to start again.



⚠ WARNING

Improper control function could cause death or serious injury.

To help avoid injury: Stop machine and have it serviced if control does not work as described in instructions.

IMPORTANT: Machine will not start if start interlock requirements are not met. See page 30 for start interlock information.

7. Run engine at half-throttle or less for five minutes before operating tractor. During warmup, check that all controls work properly.



Drive



WARNING Moving traffic – hazardous situation. Death or serious injury could result. Avoid moving vehicles, wear high visibility clothing, post appropriate warning signs.

To help avoid injury:

- Drive carefully in congested areas. Know machine's clearance and turning radius.
- Keep attachments low when operating on slope. Drive slowly and cautiously.

EMERGENCY SHUTDOWN: Turn ignition switch to STOP.

1. Turn on lights as needed.
2. Raise backfill blade and all attachments.
3. Release parking brake.
4. Adjust throttle.
5. Move ground drive control to forward or reverse or press upper or lower part of foot pedal.

The ground drive foot pedal and the ground drive speed/direction control lever can override each other. Use the override feature when trenching, plowing or sawing.

- When driving or backfilling, use only the foot pedal to control speed and direction.
- When trenching, sawing, or plowing, use hand lever to set travel speed and use the foot pedal to adjust speed temporarily when digging conditions change. For example, if digging conditions become tough, press the lower part of foot pedal to slow digging speed. When original digging condition resumes, release foot pedal to return to original speed.

Shut Down

1. When job is complete, move ground drive control to neutral.
2. Set parking brake.
3. Lower all attachments to ground.
4. Move throttle to idle for 3 minutes to cool engine.
5. Turn ignition switch to STOP. If leaving machine unattended, remove key.
6. For maintenance or long-term storage, turn battery disconnect switch, if equipped, to the disconnect position.

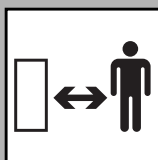
Transport

Chapter Contents

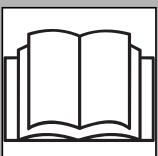
Lift	74
• Points	74
• Procedure	75
Tie Down	78
• Points	78
• Procedure	78
Haul	79
• Procedure	79
Tow	82
• Procedure	82



Lift



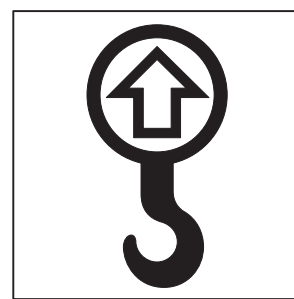
WARNING Crushing weight. If load falls or moves it could kill or crush you. Use proper procedures and equipment or stay away.



WARNING Read operator's manual. Know how to use all controls. Your safety is at stake. 273-475

Points

Lifting points are identified by lifting decals. Lifting at other points is unsafe and can damage machinery.



ic1319a.eps

Procedure

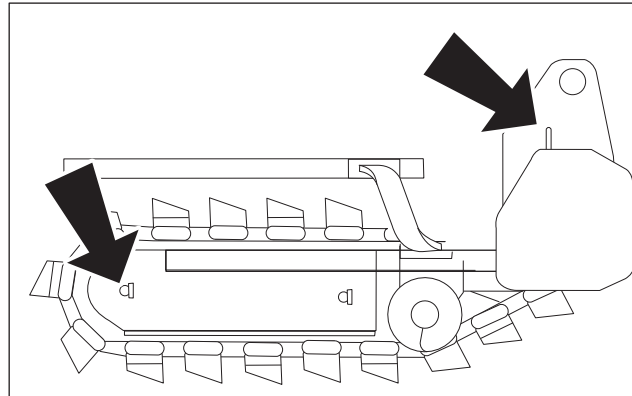
Tractor

This machine is not configured for lifting. If the machine must be lifted, load machine into a container or onto a platform appropriate for lifting. See "Specifications" on page 175 for size and weight of machine.

H313/H314 Trenchers

Use crane capable of supporting the equipment's size and weight. See page 180 or measure and weigh equipment before lifting.

NOTICE: Do not lift tractor with installed attachment.

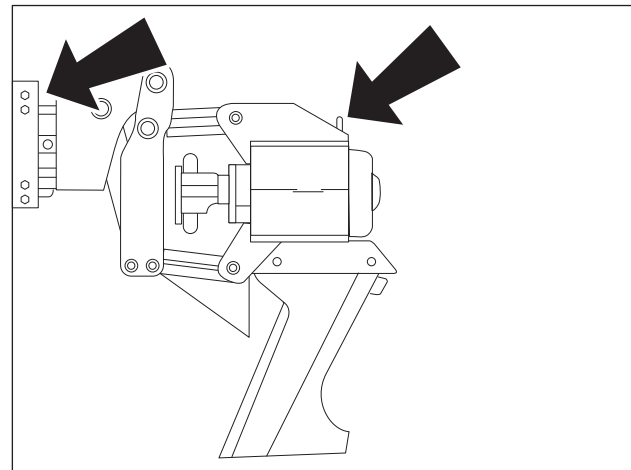


t28om010h.eps

H331 Plow

Use crane capable of supporting the equipment's size and weight. See page 182 or measure and weigh equipment before lifting.

NOTICE: Do not lift tractor with installed attachment.



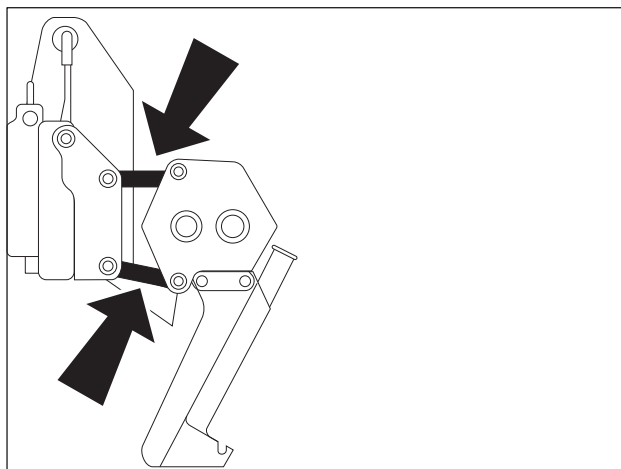
t28om011h.eps



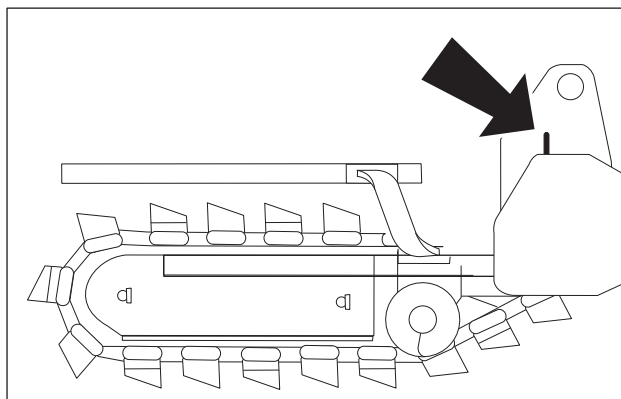
H350 Combo

Use crane capable of supporting the equipment's size and weight. See page 184 or measure and weigh equipment before lifting.

NOTICE: Do not lift tractor with installed attachment.



t28m089h.eps



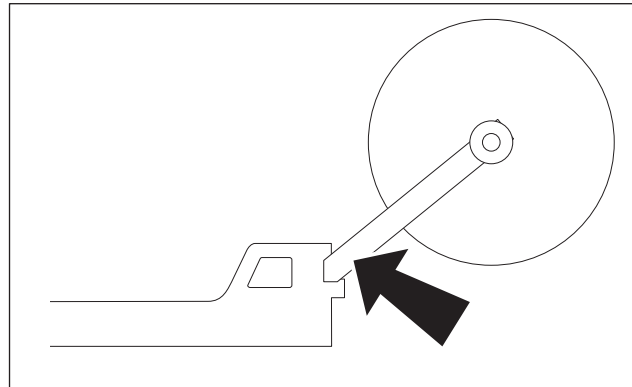
t28m090h.eps

Reel Carrier

Use crane capable of supporting the equipment's size and weight. See page 184 or measure and weigh equipment before lifting.

NOTICE:

- Do not lift reel carrier with reel installed.
- Do not lift tractor with installed attachment.

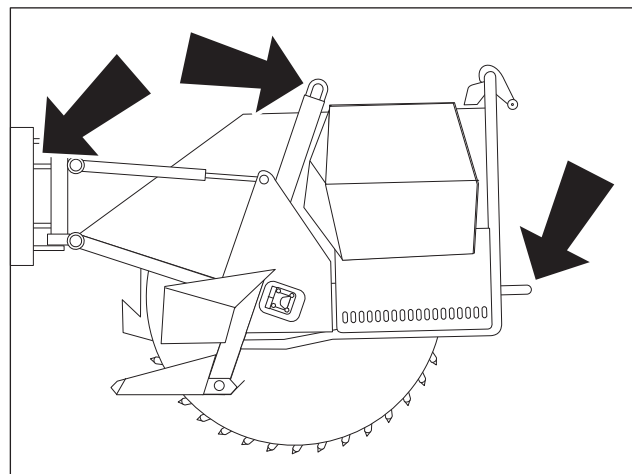


t28om013h.eps

H342 Saw

Use crane capable of supporting the equipment's size and weight. See page 186 or measure and weigh equipment before lifting.

NOTICE: Do not lift tractor with installed attachment.

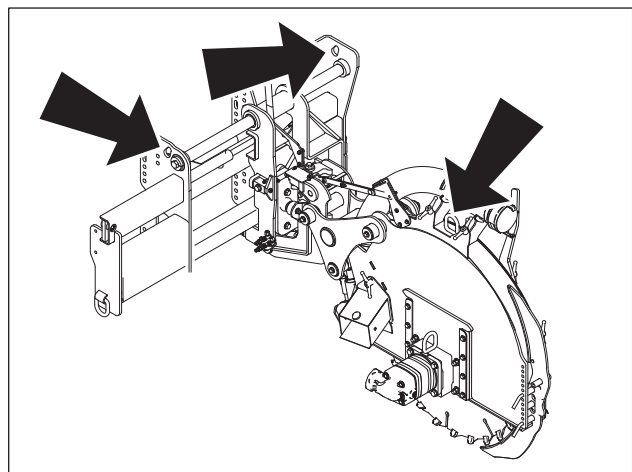


t28om014h.eps

MT12 MicroTrencher

Use crane capable of supporting the equipment's size and weight. See page 190 or measure and weigh equipment before lifting.

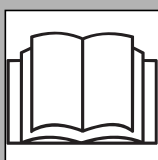
NOTICE: Do not lift tractor with installed attachment.



t28om083h.eps



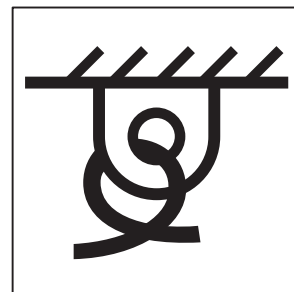
Tie Down



WARNING Read operator's manual. Know how to use all controls.
Your safety is at stake. 273-475

Points

Tiedown points are identified by tiedown decals. Securing to trailer at other points is unsafe and can damage machinery.

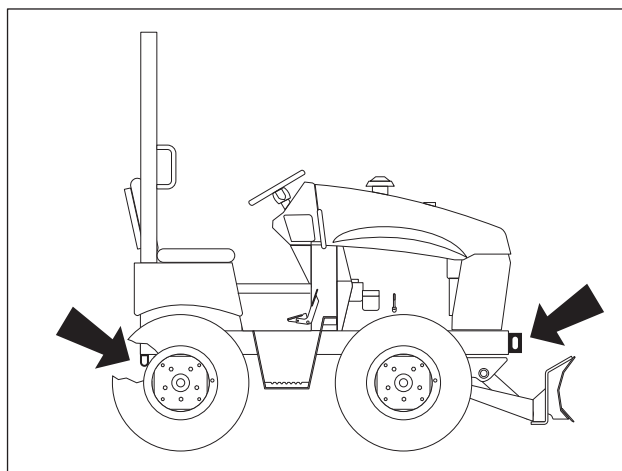


ic1320a.eps

Procedure

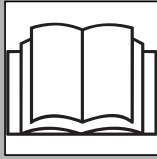
Tractor

Attach chains at front and rear tiedown points. Make sure chains are tight before transporting unit.



t42om023h.eps

Haul



WARNING Read operator's manual. Know how to use all controls.
Your safety is at stake. 273-475

To help avoid injury:

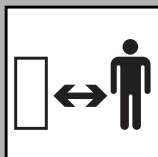
- Read trailer operator's manual before loading or transporting your machine. Incorrectly loaded machine can slip or cause trailer sway.
- Ensure that tow vehicle has proper tow capacity rating.
- Attach trailer to tow vehicle before loading or unloading.
- Park, load, and unload trailer on level ground.
- Check that unit and trailer do not exceed size or weight regulations.
- Load trailer correctly to avoid trailer swaying. Ten to fifteen percent of total vehicle weight (equipment plus trailer) must be on tongue to help prevent trailer sway.
- Connect safety chains to tow vehicle. Attach left chain to right side of tow vehicle and vice versa to cradle hitch. Do not connect to pintle hook or hitch ball.
- Connect breakaway switch cable to tow vehicle. Do not connect to pintle hook or hitch ball.



Procedure

Inspect Trailer

1. Check hitch for wear and cracks. Lubricate if needed.
2. Check battery for 12V charge.
3. Inspect lights for cleanliness and correct operation. Inspect reflectors and replace if needed.
4. Check tire pressure. Check lug nut torque with a torque wrench. Adjust if needed.
5. Ensure trailer brakes are adjusted to come on in synchronization with tow vehicle brakes.
6. Check ramps and trailer bed for cracks.

Load

WARNING Crushing weight. If load falls or moves it could kill or crush you. Use proper procedures and equipment or stay away.

To help avoid injury:

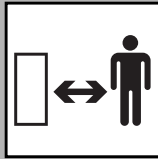
- Attach trailer to tow vehicle before loading or unloading.
- Load and unload trailer on level ground.
- Block trailer wheels.



WARNING Rollover possible. If machine rolls over, you could be thrown from seat and killed or crushed. Wear seat belt. 275-303

1. Fasten and adjust seat belt.
2. Start tractor. See page 70 for proper start-up procedures.
3. Raise attachments, but keep them low.
4. Move attachments to center position.
5. Release parking brake.
6. Slowly drive tractor onto trailer.
7. Position tractor on trailer deck for proper weight distribution.
8. Engage parking brake.
9. Lower attachments to trailer bed and turn tractor off. See page 72 for proper shutdown procedures.
10. Attach chains to tractor and attachments where tiedown decals are located. See page 78.

Unload



WARNING Crushing weight. If load falls or moves it could kill or crush you. Use proper procedures and equipment or stay away.

To help avoid injury:

- Attach trailer to tow vehicle before loading or unloading.
- Load and unload trailer on level ground.
- Block trailer wheels.

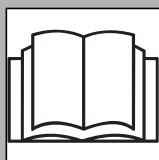


WARNING Rollover possible. If machine rolls over, you could be thrown from seat and killed or crushed. Wear seat belt. 275-303

1. Lower trailer or ramps.
2. Remove chains from tiedowns.
3. Fasten and adjust seat belt.
4. Start tractor. See page 70 for proper start-up procedures.
5. Raise attachments, but keep them low and centered.
6. Disengage parking brake.
7. Slowly back unit down trailer or ramps.



Tow



WARNING Read operator's manual. Know how to use all controls. Your safety is at stake. 273-475

Under normal conditions, tractor should not be towed. If tractor becomes disabled and towing is necessary:

- Do not tow for more than 200 yd (180 m).
- Tow at less than 1 mph (1.6 km/h).
- Use maximum towing force of 1.5 times unit weight.

Procedure

1. Attach tow line to all available tiedown points facing towing vehicle.

2. Bypass hydraulic system.

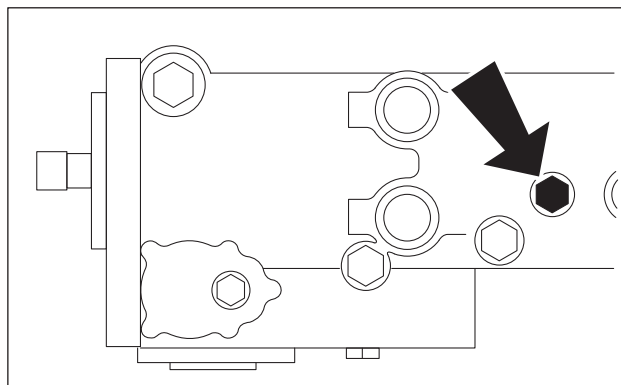
Remove tunnel cover and loosen bypass valve two turns. Valve is on right rear of front pump.

3. Fasten seat belt.

4. Disengage parking brake.

NOTICE: While towing, unit will not have brakes.

5. Check that ground drive and attachment speed/direction controls are in neutral position.



t280m017h.eps

Trench



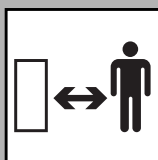
Chapter Contents

Setup 84

Operation..... 85

Setup

EMERGENCY SHUTDOWN - Turn ignition switch to STOP.



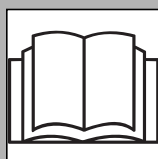
WARNING Crushing weight could cause death or serious injury. Use proper procedures and equipment or stay away.

To help avoid injury: Use attachments or counterweights to make front and rear loads balance when all attachments are raised. Contact your Ditch Witch® dealer about counterweighting for your equipment.



WARNING Jobsite hazards could cause death or serious injury. Use correct equipment and work methods. Use and maintain proper safety equipment.

To help avoid injury: Comply with all utility notification regulations before digging or drilling.



WARNING Read operator's manual. Know how to use all controls. Your safety is at stake. 273-475

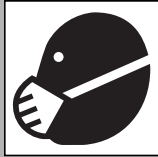
1. Fasten and adjust seat belt.
2. Start tractor. See page 70 for start-up procedures.
3. Drive to starting point. Move in line with planned trench. See page 72 for operating procedures.

IMPORTANT:

- When cutting asphalt, start trench in soil at edge of road and use shortest possible boom at full depth.
- Sight along center of hood to a stake driven beyond end of trench line for straight trench.
- For optimal spoils delivery, adjust the auger positions forward or backward to accommodate terrain and digging depth.

4. Lower backfill blade.
5. Engage parking brake.
6. Lower boom to just above ground.
7. Check that attachment speed/direction control and ground drive controls are in neutral.
8. If equipped with combo, move selector valve to trenching position.

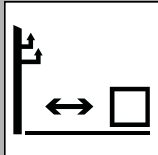
Operation



CAUTION

Use breathing protection when exposed to silica dust.

270-4952

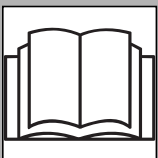


DANGER

Electric shock will cause death or serious injury. Stay

away. 274-049

To help avoid injury: Expose lines by hand before digging. Cutting high voltage cable can cause electrocution.



WARNING

Read operator's manual. Know how to use all controls.

Your safety is at stake. 273-475

To help avoid injury:

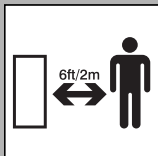
- Comply with all utility notification regulations before digging or drilling.
- Notify companies that do not subscribe to One-Call.



CAUTION

Flying objects thrown by machine may strike people.

Wear hard hat and safety glasses. 275-193



DANGER

Moving digging teeth will cause death or serious injury.

Stay away. 275-443

To help avoid injury:

- Ensure parking brake is engaged.
- Allow 3' (1 m) between digging teeth and obstacle. Machine might jerk when digging starts.
- Keep everyone at least 6' (2 m) from machine, attachments, and their range of movement.

1. Lower backfill blade to reduce shock when trenching begins.
2. If necessary, adjust throttle to low idle.
3. Move attachment speed/direction control to desired speed. DIGGING CHAIN WILL MOVE.

NOTICE: Always start trenching with attachment speed set at low. If soil conditions permit optimum digging at higher speeds, select high.

4. Increase engine speed to full throttle.
5. Slowly lower digging boom to depth.
6. Raise backfill blade and release parking brake.
7. Move ground drive control to desired speed.
8. If using optional trench cleaner:
 - Stop tractor and turn ignition switch to STOP.
 - Manually lower trench cleaner.
 - Restart tractor, fasten seat belt, and continue trenching.

NOTICE:

- Do not have trench cleaner in working position when starting a trench.
- Do not back up with trench cleaner in working position.
- Do not use trench cleaner in conditions where large rocks can get between chain and cleaner.

9. Push ground drive control forward to trenching speed.

NOTICE:

- Do not make sharp turns. Lower boom to full depth when turning.
- If an object becomes lodged in chain, move attachment speed/direction control to neutral and raise boom slightly. Reverse chain direction. If object must be removed manually, turn engine off and engage parking brake.

10. When trench is complete, move ground drive control to neutral.
11. Adjust throttle to low idle.
12. Raise boom.
13. As boom clears top of trench, move attachment speed/direction control to neutral.
14. Drive a short distance away from work site.
15. Shut down tractor. See page 72 for proper shutdown procedures.
16. Return optional trench cleaner to the stowed position.

Plow

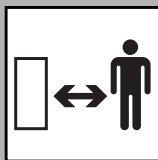
Chapter Contents

- Setup 88**
 - Position Tractor 89
 - Attach Product 89
- Operation 91**



Setup

EMERGENCY SHUTDOWN - Turn ignition switch to STOP.



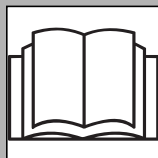
WARNING Crushing weight could cause death or serious injury. Use proper procedures and equipment or stay away.

To help avoid injury: Keep everyone at least 6' (2 m) from machine, attachments, and their range of movement.



WARNING Jobsite hazards could cause death or serious injury. Use correct equipment and work methods. Use and maintain proper safety equipment.

To help avoid injury: Comply with all utility notification regulations before digging or drilling.



WARNING Read operator's manual. Know how to use all controls. Your safety is at stake. 273-475

To help avoid injury: Use attachments or counterweights to make front and rear loads balance when all attachments are raised. Contact your Ditch Witch® dealer about counterweighting for your equipment.

NOTICE: Do not operate vibrator unless plow is in the ground.

Position Tractor

IMPORTANT: If material must be at a constant depth, dig starting and target trenches.

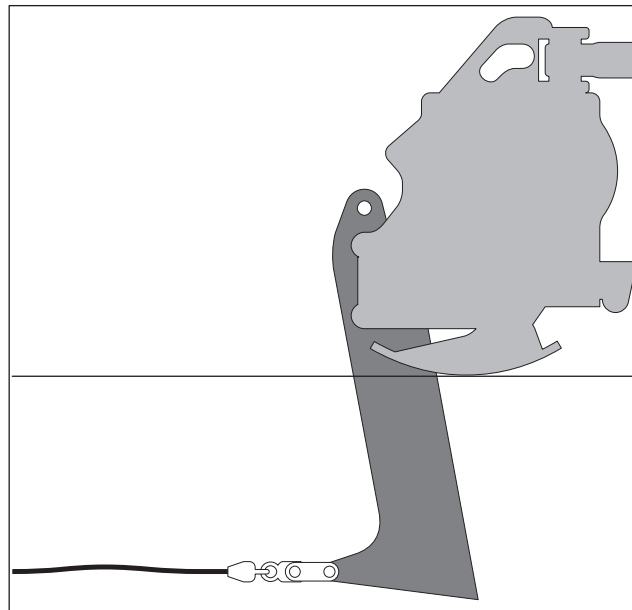
1. Fasten and adjust seat belt.
2. Start tractor. See page 70 for start-up procedures.
3. Drive to starting point. Move in line with planned trench. See page 72 for operating procedures.
4. Lower backfill blade.
5. Engage parking brake.
6. Lower plow to starting point of trench.
7. Turn ignition switch to STOP.



Attach Product

To Pull Product

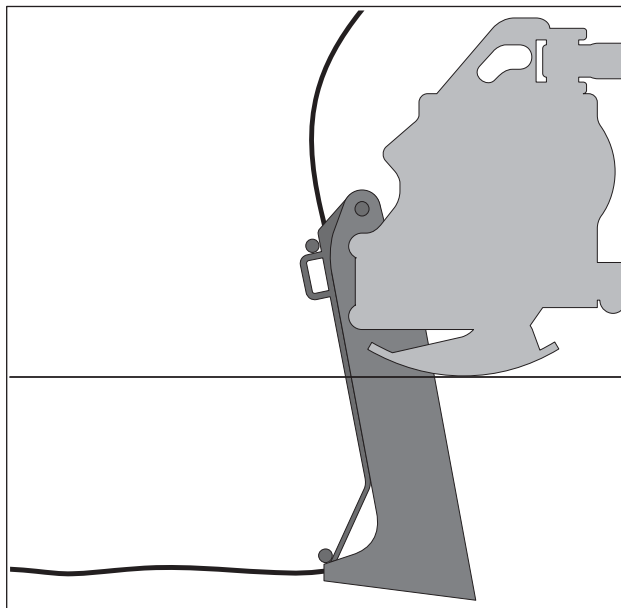
1. Insert material into pulling grip.
2. Tape grip with duct tape.



Plow_Pull.eps

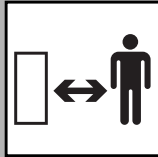
To Feed Product

1. Remove cable guide.
2. Feed cable through tube from top to bottom.
3. Replace cable guide and tighten fasteners.
4. Secure cable.

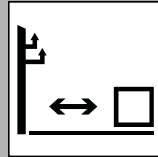


Plow_Feed.eps

Operation

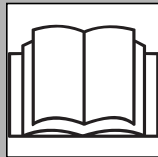


WARNING Crushing weight could cause death or serious injury. Use proper procedures and equipment or stay away.



DANGER Electric shock will cause death or serious injury. Stay away. 274-049

To help avoid injury: Expose lines by hand before digging. Cutting high voltage cable can cause electrocution



WARNING Read operator's manual. Know how to use all controls. Your safety is at stake. 273-475

NOTICE: Do not drive backward with plow in the ground.



Start Plowing

1. Fasten and adjust seat belt.
2. Start tractor.
3. Adjust throttle to low idle.
4. Check that ground drive control is in neutral.
5. Lower reel carrier to lowest position possible, if equipped.

NOTICE: Use extreme caution when operating reel carrier on sloped surfaces.

6. If equipped with combo, move selector valve to plow position. If equipped with backfill blade tilt/attachment swing valve and control, move selector to swing position.
7. Raise backfill blade.
8. Move ground drive control forward to plowing speed and lower plow blade into ground.

NOTICE: Do NOT move ground drive to reverse with plow blade in the ground.

9. Increase engine speed to full throttle.
10. Move attachment speed/direction control to full speed forward. PLOW WILL VIBRATE.
11. Reduce attachment speed to allow the least tractor vibration at the highest ground drive possible without tire slippage.
12. Check cable for damage during plowing. Run continuity checks on electric cable and check pipe pressure. Damage can result from improper operation, incorrect blade choice, striking underground obstructions, or other conditions.

Finish Plowing

1. When installation is complete, move ground drive control to neutral.
2. With vibrator running, lower throttle speed and raise plow to ground level.

NOTICE: Do not operate vibrator when plow is out of the ground. This will cause excessive vibration resulting in rapid wear, and possible damage to the unit and product being installed.

3. Move attachment speed/direction control to neutral.
4. Engage parking brake.
5. Lower backfill blade.
6. Turn ignition switch to STOP and remove product from plow.
7. Start tractor, raise backfill blade and drive a short distance away from work site.
8. Shut down tractor. See page 72 for proper shutdown procedures.

Saw

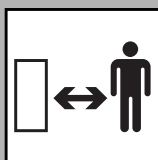
Chapter Contents

Setup	94
• Before First Use and After Replacing Bits	95
• Normal Use	95
Operation	96
• Start Sawing	97
• Finish Sawing	97



Setup

EMERGENCY SHUTDOWN - Turn ignition switch to STOP.



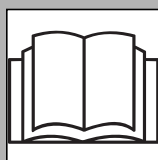
⚠ WARNING Crushing weight could cause death or serious injury. Use proper procedures and equipment or stay away.

To help avoid injury: Use attachments or counterweights to make front and rear loads balance when all attachments are raised. Contact your Ditch Witch® dealer about counterweighting for your equipment.



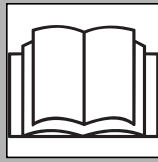
⚠ WARNING Jobsite hazards could cause death or serious injury. Use correct equipment and work methods. Use and maintain proper safety equipment.

To help avoid injury: Comply with all utility notification regulations before digging or drilling.



⚠ WARNING Read operator's manual. Know how to use all controls. Your safety is at stake. 273-475

Before First Use and After Replacing Bits



WARNING Read operator's manual. Know how to use all controls. Your safety is at stake. 273-475

To help avoid injury: Unless otherwise instructed, all service should be performed with tractor off.

Check Bit Clearance

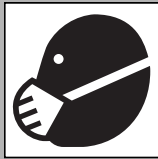
1. Check that all bits are properly secured.
2. Check that all bit retaining rings are secure.
3. Spin wheel by hand and listen for bits hitting diverters.
4. If bits hit diverters, repeat steps 1-3 to make sure bits are in the proper location and secured at proper depth.
5. If bits do not hit diverters:
 - Set parking brake.
 - Fasten and adjust seat belt.
 - Start tractor and adjust throttle.
 - Raise saw slightly.
 - Use attachment speed/direction control to rotate saw slowly. As it rotates, listen for clicking sounds. If clicking is present, repeat steps 1-4.



Normal Use

1. Fasten and adjust seat belt.
2. Start tractor. See page 70 for start-up procedures.
3. Raise saw and drive to starting point. Move in line with planned trench. See page 72 for correct operating procedures.
4. Lower backfill blade.
5. Engage parking brake.
6. Lower saw to just above ground.
7. Hold skid shoe and remove pins from one stabilizer.
8. Lower skid until distance from bottom of skid shoe to bottom of saw bits equals desired trench depth.
9. Reinsert pins.
10. Repeat process on other stabilizer. Be sure stabilizers are set at the same depth.
11. Support wheel guard with handle. Lift and pull stow lock and lower wheel guard into operating position.
12. Check that saw is in line with planned trench and that tires are pointing straight ahead.

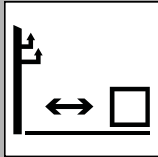
Operation



CAUTION

Use breathing protection when exposed to silica dust.

270-4952

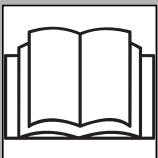


DANGER

Electric shock will cause death or serious injury. Stay away.

274-049

To help avoid injury: Expose lines by hand before digging. Cutting high voltage cable can cause electrocution.



WARNING

Read operator's manual. Know how to use all controls.

Your safety is at stake. 273-475



CAUTION

Flying objects thrown by machine may strike people.

Wear hard hat and safety glasses.



DANGER

Moving digging teeth will kill you or cut off arm or leg. Stay away.

To help avoid injury:

- Allow 3' (1 m) between digging teeth and obstacle. Machine might jerk when digging starts.
- Keep everyone at least 6' (2 m) from machine, attachments, and their range of movement.

Start Sawing

IMPORTANT:

- Before operating saw, check bits for free rotation. Tap bits lightly with a hammer and turn by hand. If bits are stuck, remove and clean packed soil from bit block.
- Work slowly and carefully.
- Saw use is not recommended for soft, wet, or sticky soil conditions.

1. Adjust throttle to low idle.
2. Lower backfill blade to ground
3. Move attachment speed/direction control to desired speed. SAW WILL TURN.
4. Increase engine speed to full throttle.
5. Slowly lower saw to trench depth.

NOTICE: Ensure that stabilizers are in contact with the ground while sawing. Failure to use stabilizers correctly will damage equipment.

IMPORTANT:

- Lower saw into softer material then move into harder or abrasive material. For example, lower saw into dirt at shoulder before cutting across road.
- If a curved trench must be cut, make a series of straight cuts.

6. Raise backfill blade.
7. Release parking brake.
8. Push ground drive control forward to trenching speed.

Finish Sawing

1. When trench is complete, move ground drive control to neutral and adjust throttle to low idle.
2. Raise saw and stabilizers.
3. As saw clears top of trench, move attachment speed/direction control to neutral.
4. Drive a short distance away from work site.
5. Shut down tractor. See page 72 for correct shutdown procedures.
6. Wash bits and mounting blocks with high pressure water before parking unit overnight.



Backhoe

Chapter Contents

Setup 100

Operation 101

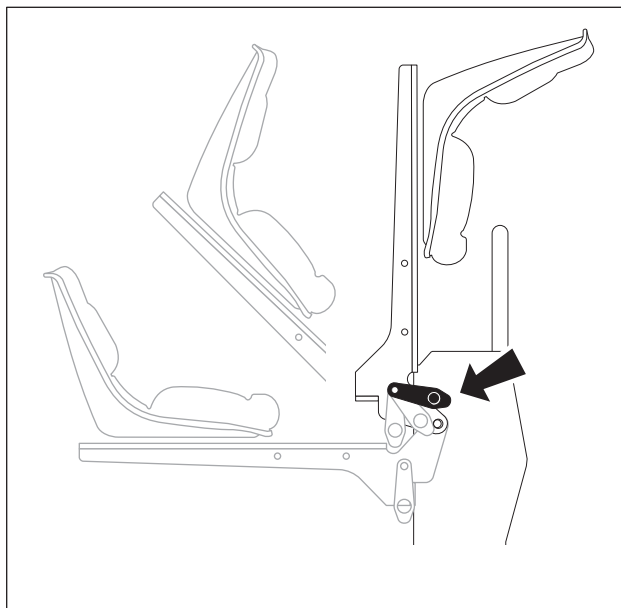
- Dig 101
- Move Unit 101
- Stowing 102



Setup

1. Move attachment speed/direction control to neutral position.
2. Move ground drive control to neutral position.
3. Engage parking brake if not on level ground.
4. Lower rear attachment to 6" (150 mm) above ground.
5. Check that backfill blade is straight and lower it to ground.
6. Decrease engine speed to low throttle.
7. Move to backhoe operator's station.
8. Release seat lock (shown) and move seat into operating position.
9. Lower stabilizers enough to lift front tires.
10. Disengage stow lock.
11. Adjust engine speed to 1/2 to 3/4 throttle for digging.

IMPORTANT: Engine speed affects speed of backhoe operation.



Backhoe_Seat.eps

Operation

NOTICE: Hydraulic functions will be disconnected if operator leaves the backhoe seat.

Dig

Use boom/swing control and bucket/dipper control to dig hole or trench.

- Keep dipper and boom at right angles as much as possible for maximum power.
- Keep bucket in line with dipper as much as possible.
- Position bucket so teeth cut soil. As soil is cut, curl bucket under dipper.
- Move dipper and bucket together. Increasing engine speed will not increase backhoe force.

Move Unit

To move unit from the backhoe operator's station using the **ground drive neutral function** (standard):

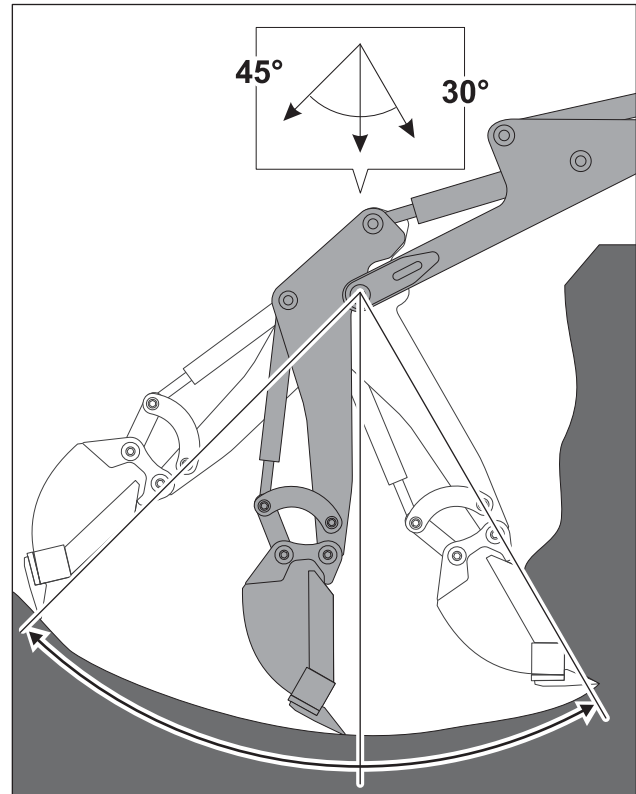
NOTICE: Only use this method to move unit a few feet at one time.

1. Raise stabilizers.
2. Press ground drive neutral switch.
3. Use bucket and dipper to move unit.
4. Lower stabilizers.

To move unit from the backhoe operator's station using the **remote ground drive function** (optional):

NOTICE: Only use this method to move unit less than 30 ft (10 m) at one time.

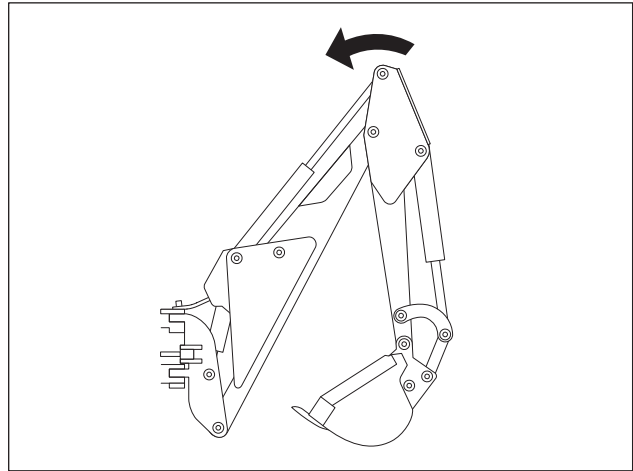
1. Raise stabilizers.
2. Raise backfill blade.
3. Use remote ground drive switch to move unit.
4. Lower stabilizers.
5. Lower backfill blade.



Stow

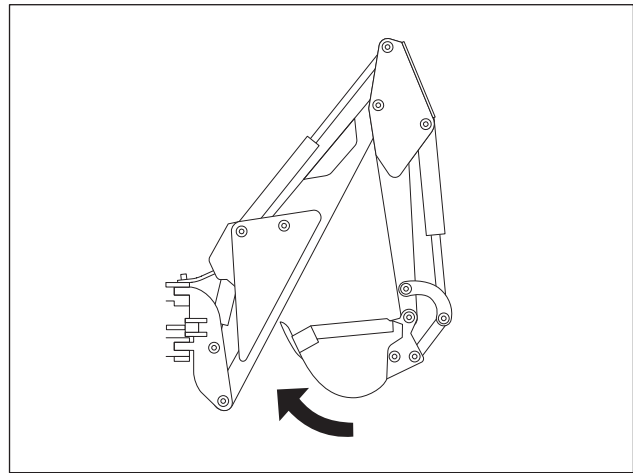
IMPORTANT: Before returning to tractor operator station, raise stabilizers, return remote throttle to low idle, and stow and lock boom.

1. When hole or trench is complete, lift boom while keeping dipper pointed at ground.



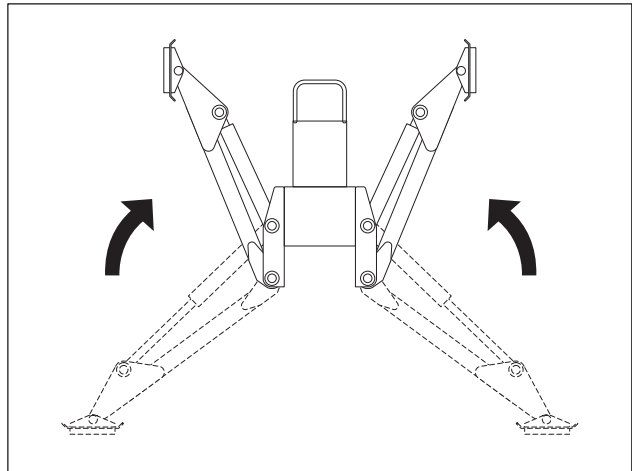
Backhoe_Stow_Boom.eps

2. Curl bucket closed and move dipper fully toward boom.
3. Lift boom to highest position and engage stow lock.



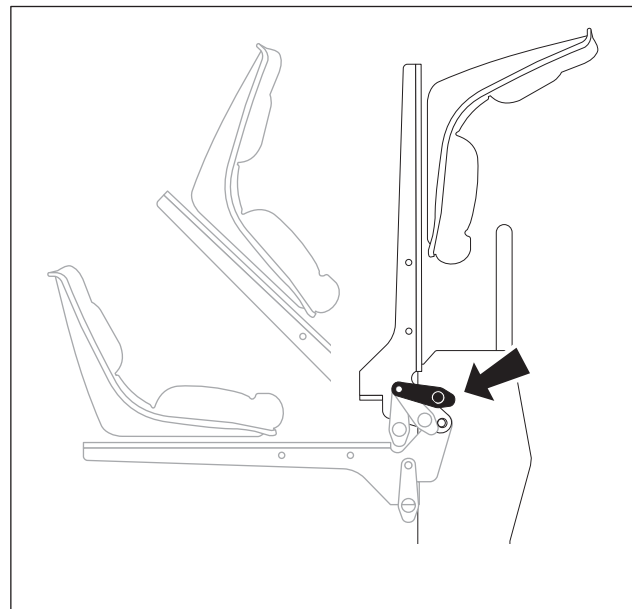
Backhoe_Stow_Bucket.eps

4. Raise stabilizers.
5. Return remote throttle to low idle.



Backhoe_Stow_Stabilizers.eps

6. Rotate seat into stowed position and engage seat lock (shown).



Backhoe_Seat.eps



Drill

Chapter Contents

Drilling Attachment 106

Prepare Jobsite and Equipment 107

- Approach Trench 107
- Target Trench 107
- Drill Rod and Equipment 108

Drill 109

- Using Drill String Guide 110

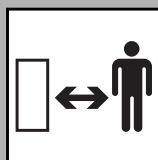
Add Rod 111

Backream 111

Disassemble Joints 112



Drilling Attachment



⚠ DANGER

275-197

Turning shaft will kill you or crush arm or leg. Stay away.

To help avoid injury:

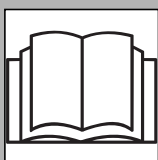
- Do not straddle trench or drill pipe while drilling. Keep everybody at least 10' (3 m) away from drill pipe during operation.
- Keep all persons away from material being installed. If swivel malfunctions, material being installed can rotate.
- Use a guide to align drill rod when starting a bore. Guides are available from your Ditch Witch® dealership.



⚠ WARNING

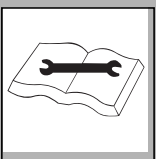
Jobsite hazards could cause death or serious injury. Use correct equipment and work methods. Use and maintain proper safety equipment.

To help avoid injury: Set up warning barriers and keep people away from equipment and jobsite while drilling.



⚠ WARNING

Read operator's manual. Know how to use all controls. Your safety is at stake. 273-475



⚠ WARNING

Improper control function could cause death or serious injury. If control does not work as described in instructions, stop machine and have it serviced.

To help avoid injury:

- Do not alter controls. Improper control function can cause serious injury.
- Do not tape or tie down switch or lever.
- Stop drilling and turn off power supply if releasing control does not stop turning shaft. Have unit repaired.

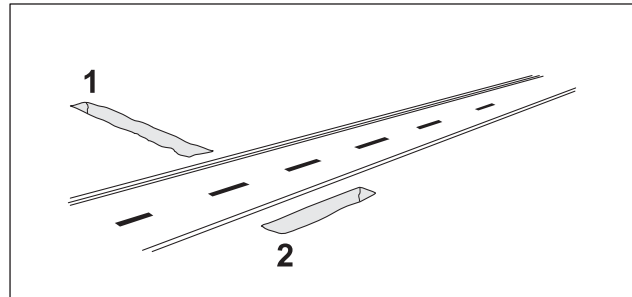
Prepare Jobsite and Equipment

Approach Trench (1)

1. Mark path where you intend to drill.
2. Dig an approach trench (1) along the intended bore path.

IMPORTANT: The approach trench should be at least:

- deep enough for pipe to lay flat and enter soil at correct angle
- 20' (6 m) long
- 4" (100 mm) wide



Drill_Atchmnt_Prep_Job.eps

Target Trench (2)

1. Select a completion point for the drilling project.
2. Dig a target trench (2) **across** the anticipated completion point.

IMPORTANT:

- The actual length of the target trench depends on soil conditions and length of pipe sections. Make it deep enough for drill bit to enter slightly above the trench floor.
- An alternative to digging a target trench is to use an electronic tracker to locate the bit, then dig down with posthole diggers. This method may be desirable to minimize surface soil disturbance.
- See "Counterweighting" on page 130 for proper counterweights for your unit configuration.

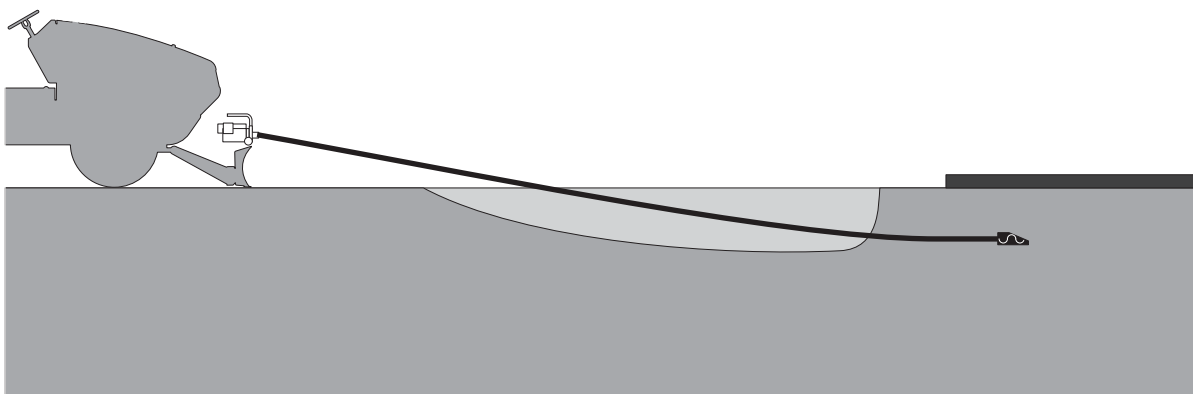


Drill Rod and Equipment

1. Assemble at least 20' (6 m), but not more than 30' (9 m), of drill rod.

NOTICE: More than 10-15' (3-4.5 m) of drill rod out of the trench increases the tendency of drill rod to bend.

2. Install drill bit to the cutting end of the drill string.
3. Put drill string in approach trench.
4. Move tractor to the approach trench and align the drilling attachment with the intended bore path.
5. Turn off engine.
6. Attach drill string to drilling attachment.



DrillRod_Trencher

Drill

EMERGENCY SHUTDOWN: Release drilling control and turn ignition switch to STOP.

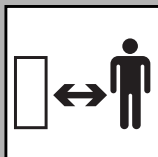
1. Start tractor's engine and begin clockwise (forward) rotation.
2. Slowly advance tractor while maintaining clockwise rotation.

NOTICE:

- Drilling too quickly causes bit to drift off course and may bend drill rod. After bore path is established, speed may be slightly increased.
- If drill rod starts to bend, stop forward movement of unit and back the unit slightly until rod straightens. Do not drill with bent rod.
- If drill rod hits an obstruction, rotate drill string counterclockwise to back up slightly.



Using Drill String Guide



⚠ DANGER

275-197

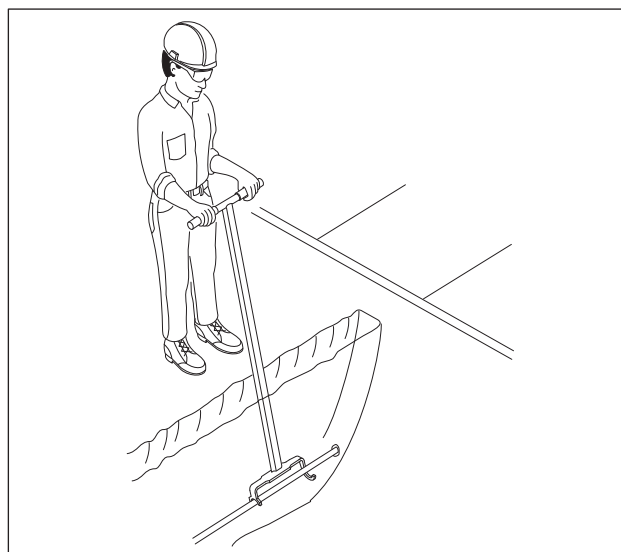
Turning shaft will kill you or crush arm or leg. Stay away.

To help avoid injury:

- Do not straddle trench or drill rod while drilling. Keep everybody at least 10' (3 m) away from drill rod during operation.
- Use a drill string guide to align drill rod when starting a bore. Guides are available from your Ditch Witch® dealership.

Use drill string guide to align drill string as it enters the soil. When using drill string guide, follow these guidelines:

- Use only approved Ditch Witch drill string guide (p/n 179-737).
- Stand only on the **left** side of the approach trench.
- Keep drill string guide at least 3' (1 m) behind bit.
- Use drill string guide to control only the first 5' (1.5 m) of the bore path.
- After drilling 5' (1.5 m), stop unit and remove drill string guide.
- **Do not** use drill string guide during backreaming or any time the drill string is being pulled back.



DrillStringGuide.eps

Add Rod

IMPORTANT: It is recommended that a helper be used to add drill rod.

1. Use control to stop drilling attachment.
2. Use ground drive controls to back up unit 6" (150 mm) to loosen drill rod in ground.
3. Disconnect drill rod from drilling attachment.
4. Use ground drive controls to move unit away from bore.
5. Add one drill rod to continue bore.
 - Have a helper direct unit operator to align drilling attachment with new rod and stop when drilling attachment and rod are 1" (25 mm) apart.
 - Have a helper lightly hold rod with palms open and direct unit operator to move unit forward slowly.
 - As soon as rod begins to engage drilling attachment, have helper release rod and move hands and arms clear of drilling attachment.



Backream

After drill bit enters target trench, the bore hole may be enlarged by changing the drill bit to a backreamer and drawing it back through the initial bore.

1. Turn tractor ignition switch to STOP.
2. Replace drill bit with backreamer.
3. Start tractor engine and begin clockwise rotation.

NOTICE: Always rotate clockwise during backreaming. Rotate counterclockwise only to dislodge a dry bore bit or reamer that has seized in the bore hole.

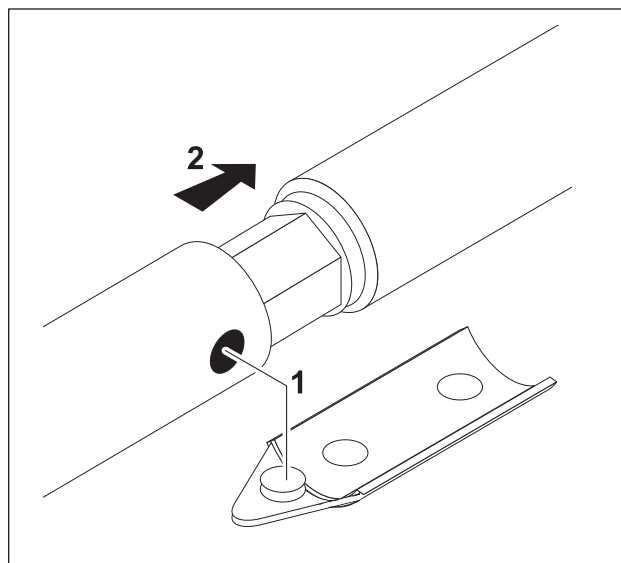
4. Slowly back up tractor while maintaining rotation.
5. When backreamer exits the bore hole, stop rotation immediately.

NOTICE:

- Do not try to increase hole size too much in one pass. Several passes using successively larger reamers will save wear on machine.
- During backreaming, keep drill string straight. Sharp bends in the drill rod at the motor coupling can cause rod failure.

Disassemble Joints

1. Press tab through hole in female side of joint (1) using special tool or screwdriver.
2. Pull rods apart (2).



Drill_Attchmnt_RodJoints.eps

Microtrenching

Chapter Contents

Setup 114

- Before First Use and After Replacing Bits. 115
- Normal Use. 116

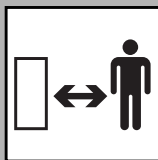
Operation 120

- Begin Trenching 121
- Stop Trenching 122
- Microtrenching with a Trench Cleaner. 123



Setup

EMERGENCY SHUTDOWN - Turn ignition switch to STOP.



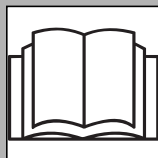
WARNING Crushing weight could cause death or serious injury. Use proper procedures and equipment or stay away.

NOTICE: Use attachments or counterweights to make front and rear loads balance when all attachments are raised. Contact your Ditch Witch® dealer about counterweighting for your equipment.



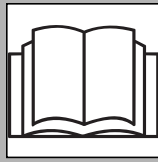
WARNING Jobsite hazards could cause death or serious injury. Use correct equipment and work methods. Use and maintain proper safety equipment.

To help avoid injury: Comply with all utility notification regulations before digging or drilling.



WARNING Read operator's manual. Know how to use all controls. Your safety is at stake. 273-475

Before First Use and After Replacing Bits



WARNING Read operator's manual. Know how to use all controls.
Your safety is at stake. 273-475

To help avoid injury: Perform all service with **tractor off** and parking brake set, unless otherwise instructed. If attachment must be raised for service, only raise it enough to clear the ground.

Check Bit Clearance

For blades using 10 mm rotating conical bits

1. Remove blade cover.
2. Check that all bits are properly secured.
3. Check that all bit retaining pins are secure.
4. Ensure blade retaining nut is tight.
5. Turn blade by hand and make sure bits do not hit metal frame.

Note: If new bits and deflectors are installed, it is normal for bits to hit the deflectors until a portion of the deflector is worn away.

6. If bits hit frame, repeat steps 2-5 to make sure bits are in the proper location and secured at proper depth.
7. If bits do not hit frame:
 - Install blade cover.
 - Fasten and adjust seat belt.
 - Start tractor and adjust throttle.
 - Raise microtrencher slightly.
 - Use attachment speed/direction control to rotate blade slowly. Listen for clicking sounds. If clicking is present, turn off tractor and repeat steps 1-6.



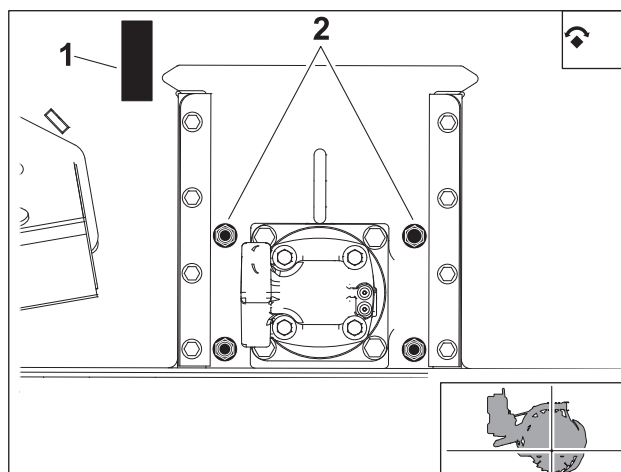
Normal Use

1. Fasten and adjust seat belt.
2. Start tractor. See page 70 for start-up procedures.
3. Raise microtrencher and drive to starting point. Move in line with planned trench. See page 72 for correct driving procedures.
4. Lower backfill blade.
5. Engage parking brake.
6. Lower microtrencher to just above ground.
7. Check that blade is in line with planned trench and that tires are pointing straight ahead.

Adjust Trench Depth

Blade

1. Shut down tractor and remove blade (see page 172.)
2. Remove 4 bolts (2).
3. Lift or lower blade motor to desired depth. Use the depth decal (1) as a guide.
4. Install bolts and tighten nuts to 200 ft-lb (271 N-m).



t28om065h.eps

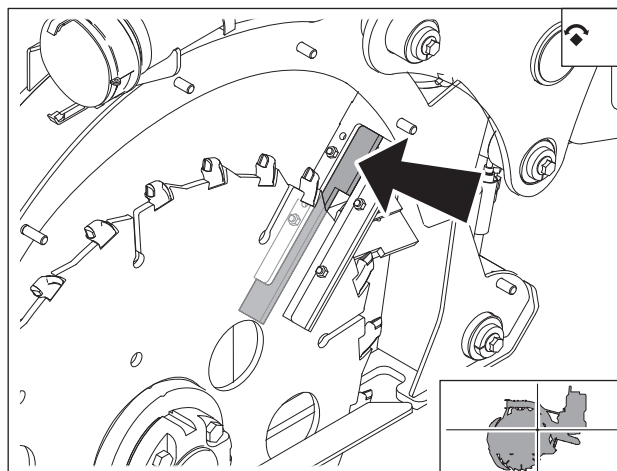
Spoils Deflector

1. Remove blade cover.
2. Remove bolts and nuts that retain the inside spoils deflector.
3. Position spoils deflector.

IMPORTANT: For best spoils removal, set the spoils deflector as close to the blade as possible.

4. Install bolts and tighten nuts firmly.

NOTICE: Overtightening nuts will distort deflector.

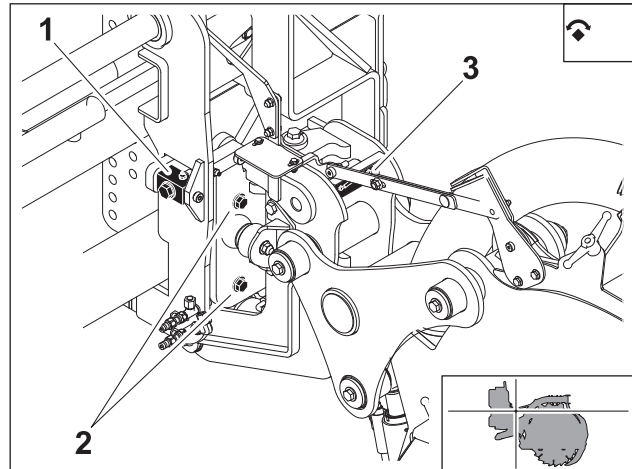


t28om066h.eps

Adjust Tilt

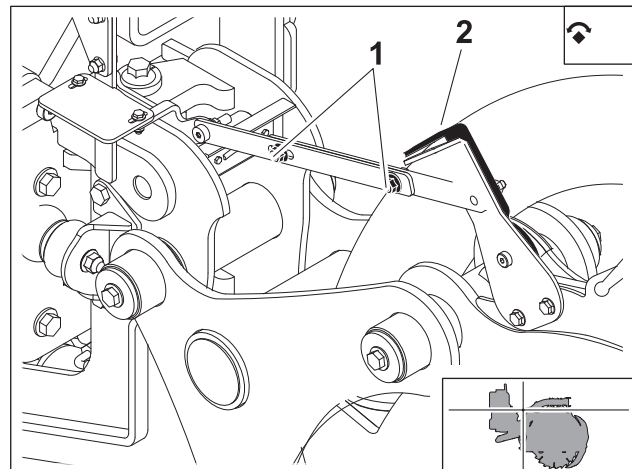
IMPORTANT: Microtrenching requires good contact between the microtrencher frame and the surface being cut. Use lift control, level control, and manual tilt to adjust microtrencher to match jobsite conditions.

1. Lower microtrencher and turn off tractor.
2. Loosen 4 clamp bolts (2, and two on other side of mount).
3. Adjust manual adjustment turn screw (1) and watch bubble level (3) until desired tilt is achieved.
4. Tighten clamp bolts.

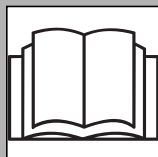


Adjust Level Indicator

1. Shut down tractor and remove blade.
2. Using lift control and level control, position base of microtrencher flat on pavement.
3. Loosen bolts (1) in adjustable link and align moving pointer (2) with fixed pointer.
4. Tighten bolts.



Prepare Spoils Removal



WARNING

Read operator's manual. Know how to use all controls.
Your safety is at stake. 273-475

To help avoid injury: Do not operate without blade cover and chutes or chute plates installed.

The MT12 MicroTrencher is designed to operate optimally with an 800 cfm vacuum excavator unit to remove spoils. If vacuum excavator is not available, set up unit to operate without it.

With Vacuum Excavator

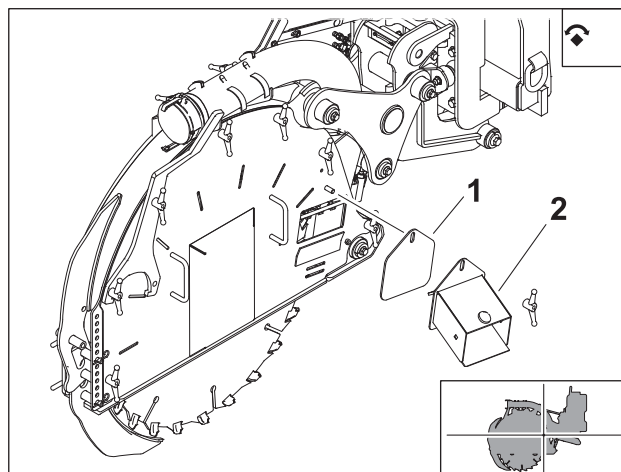
1. Connect vacuum hose on excavator to vacuum hose on tractor.
2. Operate vacuum unit at full speed for best results. Full vacuum flow to the microtrencher is necessary for best spoils removal.

IMPORTANT: Ensure that vacuum hoses are clear, vacuum filters are clean, and separator canister is empty prior to operation.

Without Vacuum Excavator

1. Cap vacuum hose on tractor.
2. Remove chute plates (1).
3. Install spoils chutes (2).

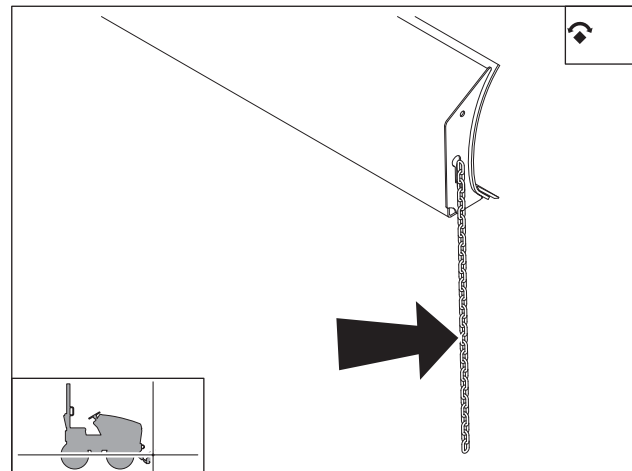
IMPORTANT: Note orientation of spoils chute as indicated by decal on chute.



t28om069h.eps

Position Alignment Guide

1. Mark intended trench path with paint.
2. Attach chain to backfill blade.
3. Adjust backfill blade until chain is in line with microtrencher blade.
4. Monitor chain periodically while trenching to ensure chain follows paint line during operation.
5. Remove chain from backfill blade before transporting tractor.



t28om070h.eps

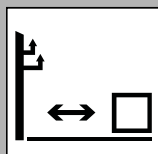


Operation



CAUTION Use breathing protection when exposed to silica dust.

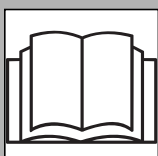
270-4952



DANGER Electric shock will cause death or serious injury. Stay away.

274-049

To help avoid injury: Expose lines by hand before digging. Cutting high voltage cable can cause electrocution.



WARNING Read operator's manual. Know how to use all controls. Your safety is at stake.

273-475

NOTICE: Use attachments or counterweights to make front and rear loads balance when all attachments are raised. Contact your Ditch Witch® dealer about counterweighting for your equipment.



CAUTION Flying objects thrown by machine may strike people. Wear hard hat and safety glasses.

275-193

To help avoid injury:

- Never operate microtrencher without blade cover installed.
- Keep everyone away from machine.



DANGER Moving digging teeth will kill you or cut off arm or leg. Stay away.

To help avoid injury:

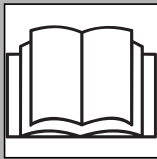
- Allow 3' (1 m) between digging teeth and obstacle. Machine might jerk when digging starts.
- Keep everyone at least 6' (2 m) from machine, attachments, and their range of movement.

IMPORTANT:

- Before operating microtrencher, check bits for free rotation. Tap bits lightly and turn by hand. If bits are stuck, remove and clean packed soil from bit block.
- Work slowly and carefully.
- Microtrencher is not recommended for soft, wet, or sticky soil conditions.

Begin Trenching

1. Adjust throttle to low idle.
2. Lower backfill blade to ground.
3. Move attachment speed/direction control to desired speed. **BLADE WILL TURN.**
4. Increase engine speed to full throttle.
5. Slowly lower microtrencher to full depth.



WARNING Read operator's manual. Know how to use all controls. Your safety is at stake. 273-475



IMPORTANT:

- When possible, lower microtrencher into softer material then move into harder or abrasive material. For example, lower microtrencher into dirt at shoulder before cutting across road.
- Use attachment lift/lower control to apply downforce as needed to ensure front of frame is in contact with or slightly above the ground.

6. Raise backfill blade.
7. Release parking brake.
8. Use ground drive control to set trenching speed.

NOTICE:

- Do not attempt to trench a radius smaller than 40' (12.2 m). Serious damage to microtrencher and/or blade may result.
- Release swing lock when cutting curved trenches.

IMPORTANT:

- Ground drive speed/direction can be controlled with foot pedal or hand lever. When trenching, set ground drive speed with hand lever. Use foot pedal to temporarily adjust speed if digging conditions change for a short distance.
- If a curved trench smaller than a 40' (12.2 m) radius must be cut, make a series of straight cuts.

Stop Trenching

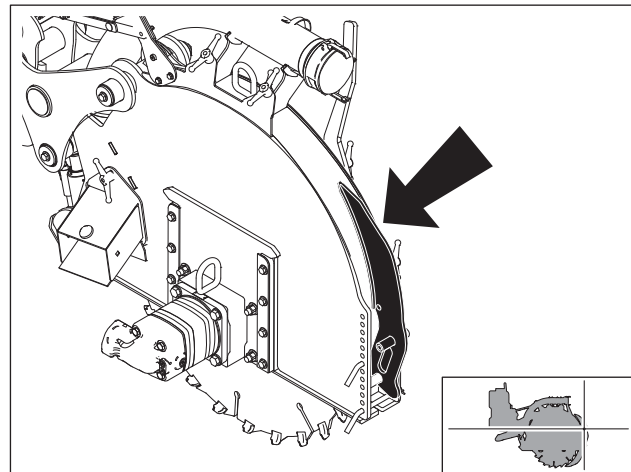
1. When trench is complete, move ground drive control to neutral and adjust throttle to low idle.
2. Raise microtrencher.
3. As blade clears top of trench, move attachment speed/direction control to neutral.
4. Drive a short distance away from work site.
5. Shut down tractor. See page 72 for correct shutdown procedures.
6. Wash bits and mounting blocks with high pressure water before parking unit overnight.

Using a Trench Cleaner

Use the correct trench cleaner for your blade. Two trench cleaners are available: one for blades 1" (25 mm) or less and one for blades wider than 1" (25 mm).

NOTICE: Do not start trench with trench cleaner in place.

1. Start trench and move forward a short distance.
2. Move ground drive to neutral and engage parking brake.
3. Raise microtrencher and stop rotation.
4. Remove trench cleaner from stowed position (shown).

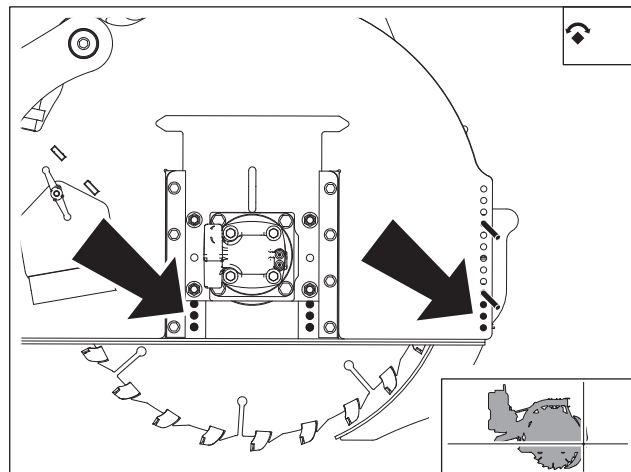


t28om087h.eps

5. Set trench cleaner to desired depth by matching number of holes below trench cleaner mounting pin to number of holes below blade motor, as shown. Trench cleaner should be close to, but not touching, blade.

NOTICE: Operating microtrencher with trench cleaner in the wrong position can damage trench cleaner or blade.

6. Start blade rotation and slowly lower microtrencher into trench to continue trenching.
7. When finished, stop trenching and return trench cleaner to stowed position.



t28om071h.eps



Systems and Equipment

Chapter Contents

Chain, Teeth, and Sprockets 126

- Chain and Tooth Maintenance 126
- Chain Types 126
- Chain Selection 127

Optional Equipment 128

- RT45 Tractor 128
- H313/H314 Trencher 128
- H331 Plow 128
- H342 Saw 129
- A323 Backhoe 129
- MT12 MicroTrencher 129

Counterweights 130



Chain, Teeth, and Sprockets

Chain and Tooth Maintenance

- Always replace sprockets at the same time you replace the digging chain. Sprockets and chain are designed to work together. Replacing one without the other will cause premature wear of the new part.
- Keep digging teeth sharp. Using dull, worn teeth will decrease production and increase shock load to other trencher components. It can also cause chain stretch, which leads to premature chain wear and failure.
- Maintain the proper amount of tension on the digging chain. Overtightening will cause chain stretch and loss of machine performance. For correct tightening procedure, see page 145.
- Use the tooth pattern most appropriate for your digging conditions. If you move to a different soil type, contact your Ditch Witch® dealer for information about the most effective chain type and tooth pattern.

Chain Types

Chain type	Features
4-pitch	standard chain
2-pitch	more teeth for smoother cutting
alternating side bar	prevents spoil compaction on chain
bolt-on adapters	allow easy configuration changes
Shark Chain II	versatile, virtually maintenance-free
combination	provides pick and shovel effect

Chain Selection

These charts are meant as a guideline only. No one chain type works well in all conditions. See your Ditch Witch® dealer for soil conditions and chain recommendations for your area. Ask for the latest Chain, Teeth, and Sprockets Parts Catalog.

- 1 = best
- 2 = better
- 3 = good
- 4 = not recommended

Chain	Sandy Soil	Soft Soil	Medium Soil	Hard Soil	Rocky Soil	Sticky Soil
4-pitch cup tooth	3	1	2	3	4	1
2-pitch cup tooth	2	3	1	1	3	4
bolt-on adapter, 2-pitch	4	4	3	2	1	4
bolt-on adapter/cup tooth combo	4	3	2	1	2	4
Shark Chain II	4	3	2	1	1	4
alternating side bar	4	4	4	4	4	1



Soil	Description
sandy soil	sugar sand, blow sand, or other soils where sand is the predominant component
soft soil	sandy loam
medium soil	loams, loamy clays
hard soil	packed clays, gumbo, all compacted soils
rocky soil	chunk rock, glacial till, cobble, rip rap, gravel
sticky soil	gumbo, sticky clays

Optional Equipment

See your Ditch Witch® dealer for more information about the following optional equipment.

RT45 Tractor

Equipment	Description
light kits	mount to 2-post ROPS
tires	26" or 29" are available
cold start kit	aids starting in cold weather
rear steer	provides greater maneuverability while working
rear counterweight	required for some backhoe and reel carrier applications
European compliance kit	includes lockable fuel cap

H313/H314 Trencher

Equipment	Description
booms	provide depth options of 3' (1 m) or 4' (1.2 m) or 5' (1.5 m)
mechanical trench cleaner	removes spoils from the trench floor

H331 Plow

Equipment	Description
blades	provide depth options of 12" (305 mm), 18" (457 mm), and 24" (610 mm)
reel carrier	designed to fit your Ditch Witch equipment and speed cable installation
toe	stabilize the plow for more constant depth
bullet	allow a larger cavity for the material being installed

H342 Saw

Equipment	Description
bits and bit holders	replace as needed to increase efficiency and keep from damaging machine
block repair jigs	use to repair worn or damaged blocks or plates housing the bit holder; use block repair jig available from your Ditch Witch® dealer and an E7018 or equivalent

A323 Backhoe

Equipment	Description
bucket and bucket teeth	replace as needed to increase efficiency and keep from damaging machine
remote crowd	use to creep tractor forward during digging
light kit	illuminates the backhoe work area

MT12 MicroTrencher

Equipment	Description
bits and bit holders	replace as needed to increase efficiency and keep from damaging machine
blades	provides options for cutting trenches 0.75" (19 mm), 0.95" (24 mm), or 1.25" (32 mm) wide
vacuum kit	use to connect vacuum hose on trencher to hose on vacuum excavation unit; includes hose guides that mount to side of tractor



Counterweighting

Attachment	Counterweight required
H313 trencher	one wheel weight per each 26" front tire + 200 lb (91 kg) TBS in each front tire
	two wheel weights per each 29" front tire + 200 lb (91 kg) TBS in each front tire
	400 lb (181 kg) front counterweight
H314 trencher	A323 backhoe + one wheel weight per each 26" rear tire + 200 lb (91 kg) TBS in each rear tire
	A323 backhoe + two wheel weights per each 29" rear tire + 200 lb (91 kg) TBS in each rear tire
	800 lb (363 kg) front counterweight
H331 plow	two wheel weights per each 29" front tire + 200 lb (91 kg) TBS in each front tire
	400 lb (181 kg) front counterweight
H342 saw	A323 backhoe + one wheel weight per each 26" rear tire + 200 lb (91 kg) TBS in each rear tire
	A323 backhoe + two wheel weights per each 29" rear tire + 200 lb (91 kg) TBS in each rear tire
	800 lb (363 kg) front counterweight
H350 combo	two wheel weights per each 29" front tire + 1100 lb (499 kg) front counterweight
	A323 backhoe + two wheel weights per each 29" rear tire + 200 lb (91 kg) TBS in each rear tire + 100 lb (45 kg) TBS in each front tire
MT12 MicroTrencher	500 lb (227 kg) front counterweight

Complete the Job



Chapter Contents

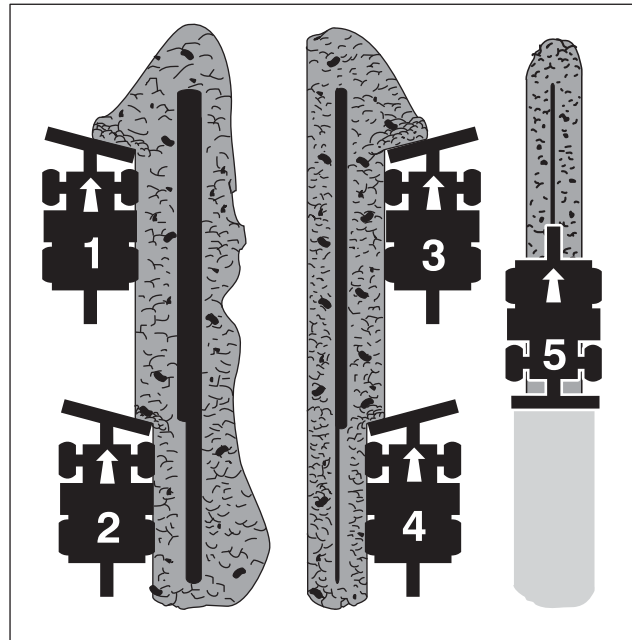
Restore Jobsite	132
• Backfilling	132
Rinse Equipment	132
Stow Tools	132

Restore Jobsite

After product is installed, return spoils to the trench with backfill blade.

Backfilling

1. Position unit at end of trench, several feet from spoils. Aim tractor at outer edge of spoils.
2. Adjust backfill blade to fit land contour.
3. Move outer edge of spoils toward trench. Take two or more passes at spoils rather than moving all spoils at once.
4. Repeat on other side of trench, if necessary.
5. Engage float and make final pass in reverse over trench.



Backfilling.eps

Rinse Equipment

- Wash saw bits and mounting blocks with high pressure water before parking unit overnight.
- Spray water onto equipment to remove dirt and mud.

NOTICE: Do not spray water onto operator's console. Electrical components could be damaged. Wipe down instead.

Stow Tools

Make sure all tools and accessories are loaded and properly secured on trailer.

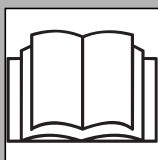
Service

Chapter Contents

Service Precautions	134
Lubrication Overview	135
Recommended Lubricants/Service Key	136
• Engine Oil Selection Chart	137
10 Hour	138
100' (30.5 m)	151
50 Hour	153
100 Hour.	155
500 Hour	156
1000 Hour	160
As Needed	162



Service Precautions

**WARNING**

Read operator's manual. Know how to use all controls.
Your safety is at stake. 273-475

To help avoid injury:

- Perform all service with engine off unless otherwise instructed.
- Refer to engine manufacturer's manual for engine maintenance instructions.
- Lower unstowed attachments to ground before servicing equipment.

Welding Precaution

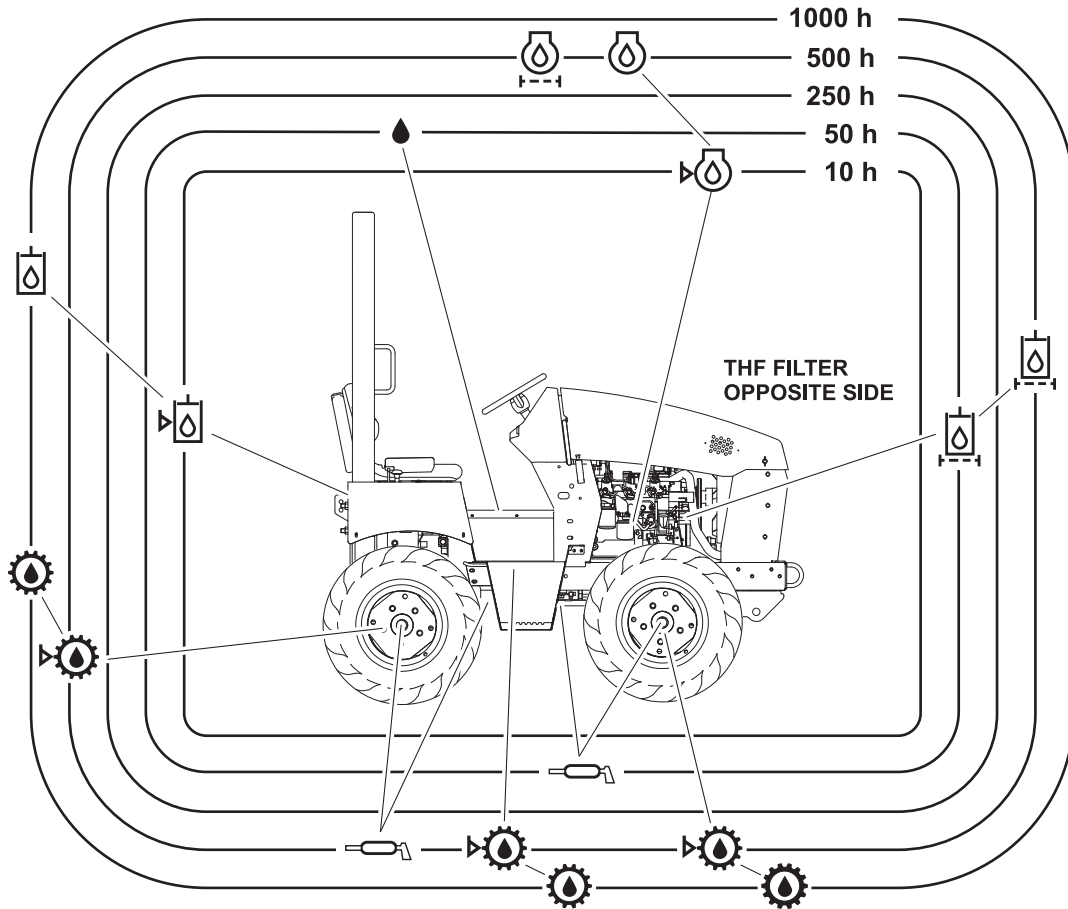
NOTICE: Welding can damage electronics.

- Disconnect battery at battery disconnect switch before welding to prevent damage to battery. Do not turn off battery disconnect switch with engine running or alternator and other electronic devices may be damaged.
- Connect welder ground clamp close to welding point and make sure no electronic components are in the ground path.
- Always disconnect the ECU ground connection from the frame, harness connections to the ECU, and other electronic components prior to welding on machine or attachments.









Cleaning Precaution

NOTICE: When cleaning equipment, do not spray electrical components with water.

Lubrication Overview



Recommended Lubricants/Service Key

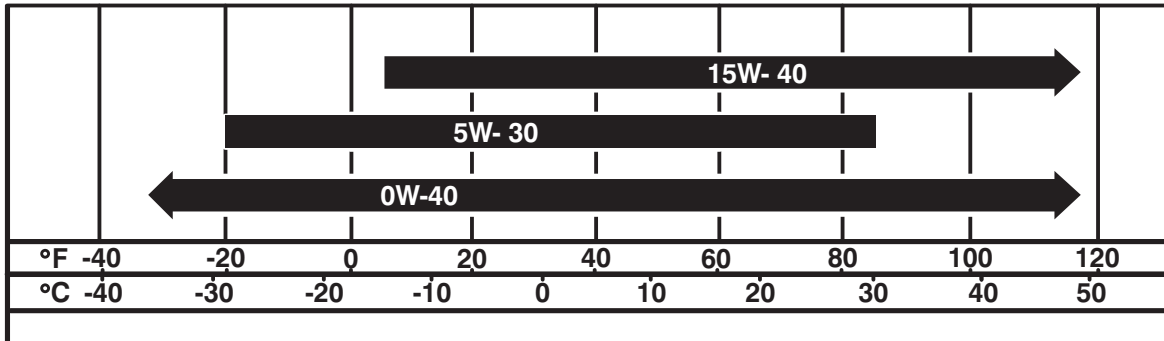
Item	Description		
 DEO	Diesel engine oil meeting or exceeding Deutz DQC-II_05, API CI-4, ACEA E4, or Global DHD-1. Use viscosity grade SAE 15W40 unless ambient temperature below 5°F (-15°C) are expected. Lower viscosity oils must meet the performance specifications shown above. See "Approved Fuel" on page 137.		
 MPG	Multipurpose grease meeting NLGI GC-LB Grade 2		
 MPL	Multipurpose gear oil meeting API service classification GL-5 (SAE 80W90)		
 THF	Tractor hydraulic fluid, similar to Phillips 66 [®] HG, Mobilfluid [®] 423, Chevron [®] Tractor Hydraulic Fluid, Texaco [®] TDH Oil, or equivalent		
	Check level of fluid or lubricant		Check condition
	Filter		Change, replace, adjust, service or test

Proper lubrication and maintenance protects Ditch Witch equipment from damage and failure. Service intervals listed are for minimum requirements. In extreme conditions, service machine more frequently. Use only genuine Ditch Witch[®] parts, filters, approved lubricants, TJC, and approved coolants to maintain warranty. Fill to capacities listed in "Specifications" on page 175.

For more information on engine lubrication and maintenance, see your engine manual.

IMPORTANT: Use the "Service Record" on page 197 to record all required service to your machine.

Engine Oil Selection Chart



j28om132t.eps

Select oil based on ambient temperature range expected before next oil change.

Approved Fuel



WARNING

Avoid static electricity when fueling. Ultra Low Sulfur Diesel (ULSD) poses a greater static ignition hazard than earlier diesel formulations. Avoid death or serious injury from fire or explosion. Consult with your fuel system supplier to ensure the delivery system is in compliance with fueling standards for proper grounding and bonding practices.

The engine in this unit is designed to run on diesel fuel. Use only high-quality fuel meeting ASTM D975 No. 2D, EN590, or equivalent. At temperatures below 32°F (0°C), winter fuel blends are acceptable. See engine operation manual for more information.

IMPORTANT: Fuel sulfur content should be less than 5000 ppm (0.5%). Worldwide, fuel sulfur regulations may vary widely. Fuel used should always comply with local regulations. If using lube oil meeting API CJ-4 (or other low SAPS equivalent) and fuel with sulfur content above 500 ppm (0.05%, low sulfur diesel in the U.S.), reduce oil change interval to 250 hours.

Biodiesel blends up to 5% (B%) are approved for use in this unit. The fuel used must meet the specifications for diesel fuel shown above. Extra attention is needed when using biodiesel, especially when operating in cold weather or storing fuel. Contact your Ditch Witch® dealer or the engine manufacturer for more information.



10 Hour

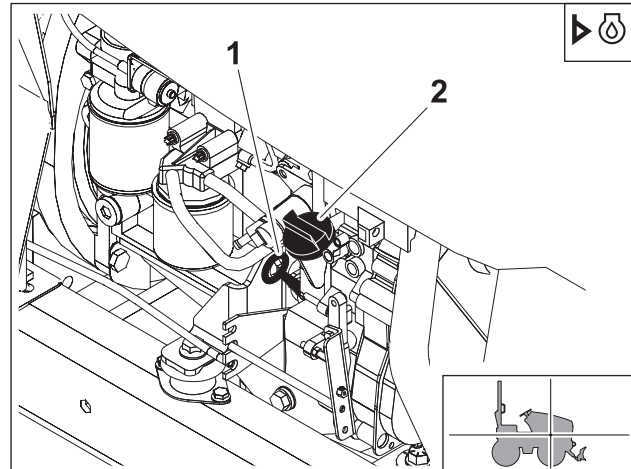
Location	Task	Notes
TRACTOR	Check engine oil level	DEO
	Check hydraulic fluid level and reservoir breather cap	THF
	Check oil cooler	
	Check hydraulic hoses	
	Check inflatable tire pressure and lugnuts (if equipped)	20-30 psi (1.4-2.1 bar) 95 ft•lb (129 N•m)
	Check solid rubber tire mounting bolts (if equipped)	350 ft•lb (475 N•m)
	Check air filter restriction indicator	
TRENCHER	Lube trencher tail roller	MPG
	Lube trencher pivot	MPG
	Lube trencher pivot stub	MPG
	Lube trencher auger bearings	MPG
	Lube auger sleeve	MPG
	Check attachment mounting bolts	200 ft•lb (271 N•m)
	Check digging chain	
	Check digging chain tension	1.5-2.0" (40-50 mm)
PLOW	Clean feed tube	
	Check plow arm pins and bushings	
	Check attachment mounting bolts	200 ft•lb (271 N•m)
	Check plow vibrator oil	MPL
COMBO	Complete all service items for trencher and plow	
SAW	Clean saw	
	Check attachment mounting bolts	200 ft•lb (271 N•m)
	Check bits	
MICRO-TRENCHER	Inspect slide plates on traverse frame	
	Inspect deflectors	
	Check vacuum hoses	
	Check attachment mounting bolts	200 ft•lb (271 N•m)

Tractor

Check Engine Oil Level

While engine oil is warm, check oil level at dipstick (1) every 10 hours. Add DEO at fill (2) as necessary to keep oil level at highest line on dipstick.

IMPORTANT: See page 136 for DEO specifications.

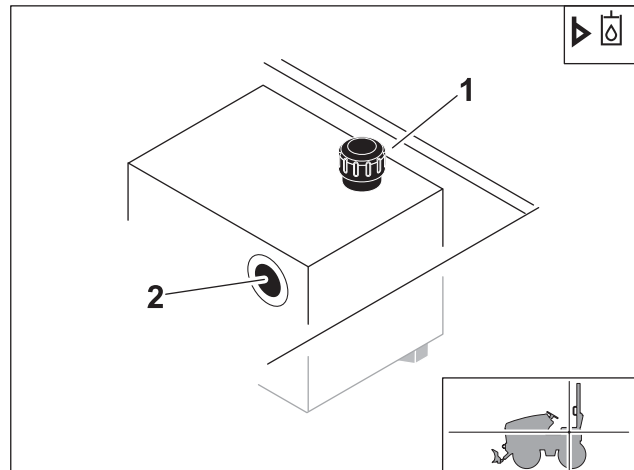


t28om018h.eps

Check Hydraulic Fluid Level and Reservoir Breather Cap

With tractor level, raise seat and check fluid at sight glass (2) every 10 hours. Fluid should be halfway up sight glass. Add THF at fill (1) as necessary.

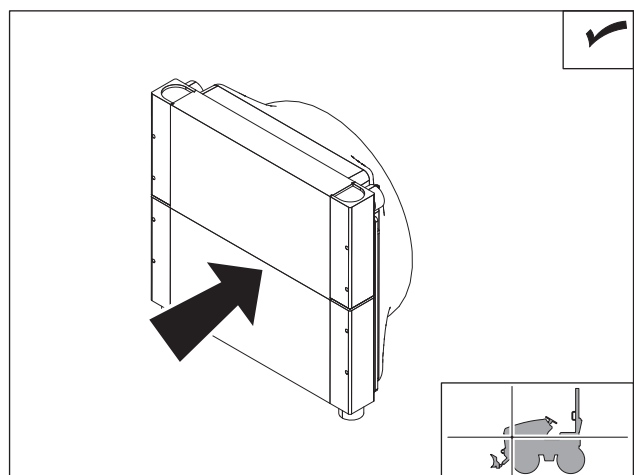
Check hydraulic reservoir breather cap (1) every 10 hours. Clean as needed.



t28om019h.eps

Check Oil Cooler

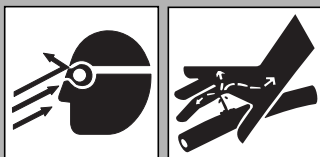
Check oil cooler for dirt and debris. Clean with compressed air or spray wash as needed. See "Clean Oil Cooler" on page 153.



t28om020h.eps



Check Hydraulic Hoses



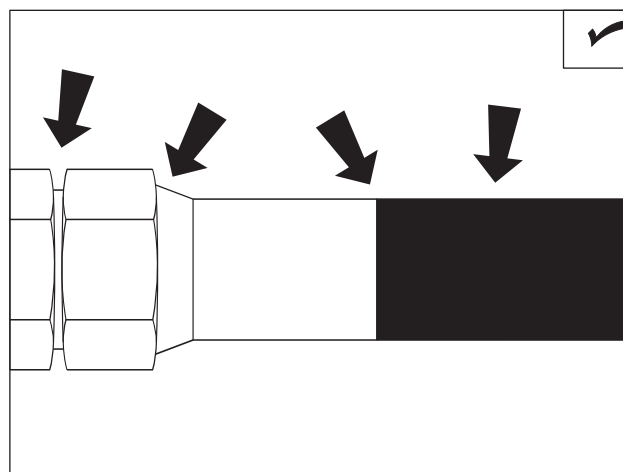
WARNING Fluid or air pressure could pierce skin and cause injury or death. Stay away.

To help avoid injury:

- Before disconnecting a hydraulic line, turn engine off and operate all controls to relieve pressure. Lower, block, or support any raised component with a hoist. Cover connection with heavy cloth and loosen connector nut slightly to relieve residual pressure. Catch all fluid in a container.
- Before using system, check that all connections are tight and all lines are undamaged.
- Use a piece of cardboard or wood, rather than hands, to search for leaks.
- Wear protective clothing, including gloves and eye protection.

If you are injured, seek immediate medical attention from a doctor familiar with this type of injury.

Check all hydraulic hoses every 10 hours.



CheckHoses.eps

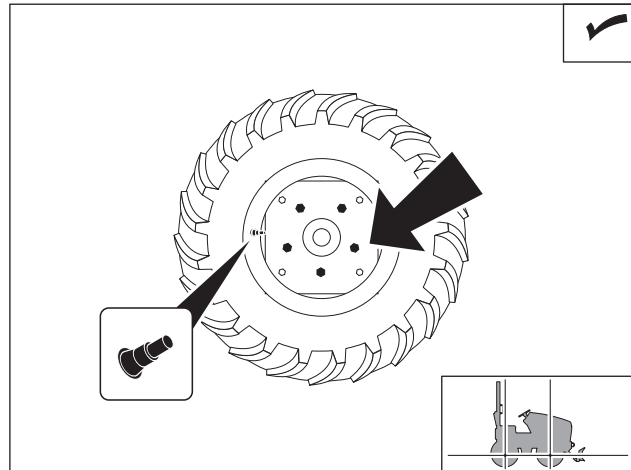
Check Tires

Inflatable Tires

Check tire pressure every 10 hours. Use water-rinsable air gauge if tire ballast is used.

Tire option	Maximum pressure
26 x 12.00-12 4-ply bar lug	20 psi (1.4 bar)
29 x 12.50-15 4-ply bar lug	30 psi (2.1 bar)

Tighten lugnuts to 95 ft•lb (129 N•m).

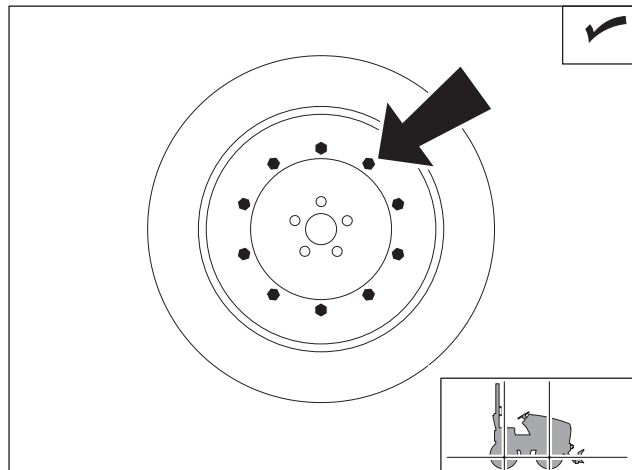


t28om021h.eps



Solid Rubber Tires

Check adapter mounting bolts (shown, if equipped) after first 10 hours. Correct torque is 350 ft•lb (475 N•m).



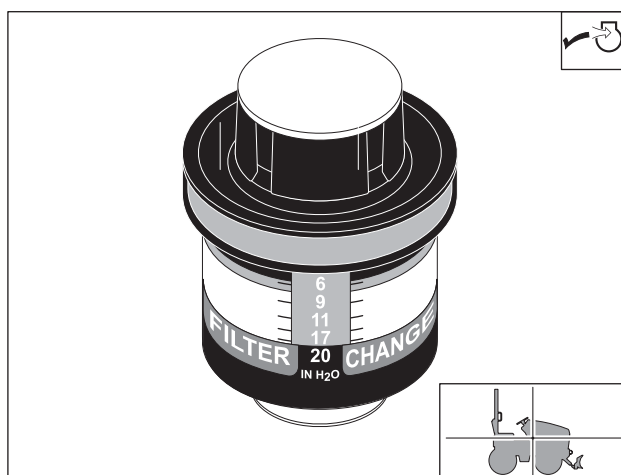
t28om072h.eps

Check Air Filter Restriction Indicator

Check air filter restriction indicator every 10 hours. Change air filter elements when air filter restriction indicator reaches the red zone.

NOTICE: Only open the air filter canister when air restriction is indicated. Change the elements, do not attempt to clean them.

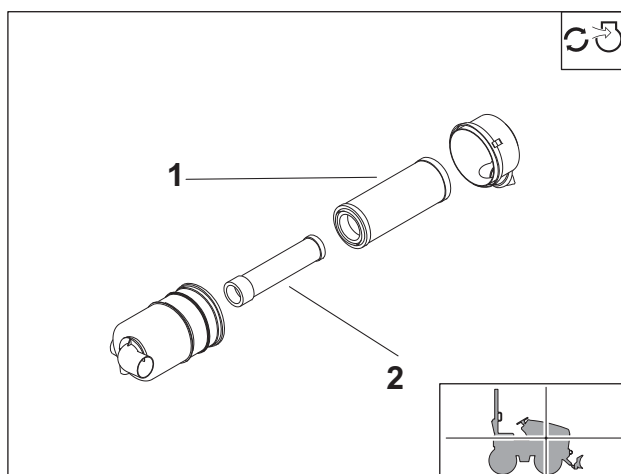
- Compressed air or water may damage filter elements.
- Tapping filter elements to loosen dirt may damage the elements.



t28om007h.eps

To change:

1. Remove air filter cover and remove primary (1) and safety (2) elements.
2. Wipe inside of housing and wash cover.
3. Insert new elements.
4. Replace cover.
5. Reset air filter restriction indicator.

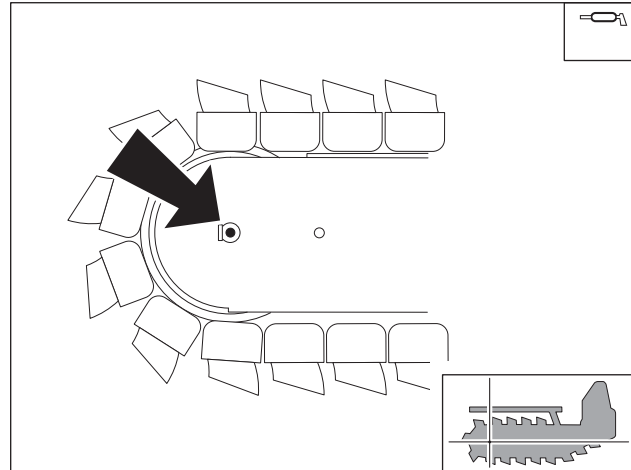


t28om005h.eps

Trencher

Lube Trencher Tail Roller

Remove plug, wipe zerk clean and lube every 10 hours with MPG.



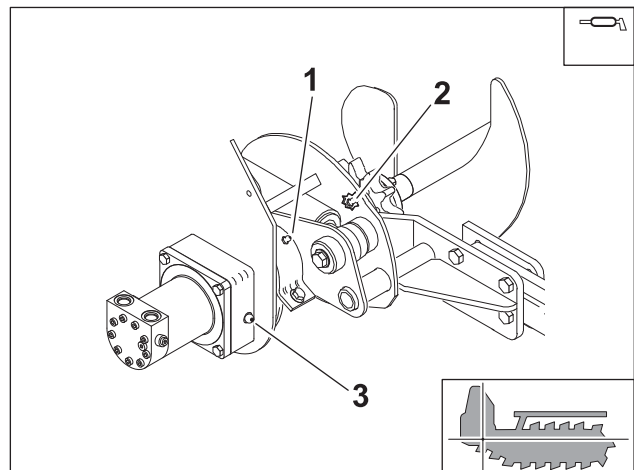
t28om022h.eps



Lube Trencher Pivot

Wipe three zerks clean and lube every 10 hours with MPG.

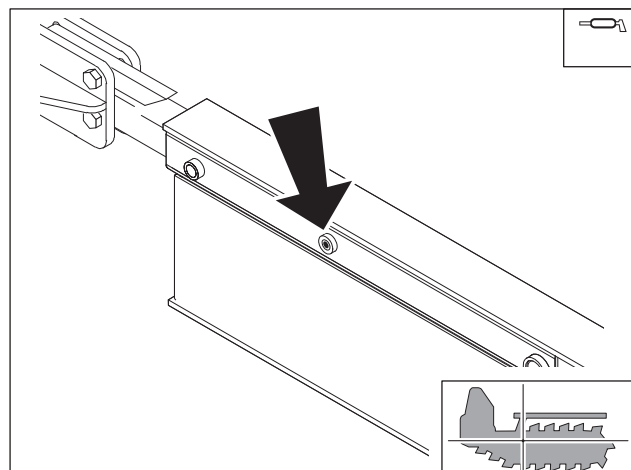
- Lube zerk (3) until grease appears at headshaft hub.
- Lube zerks (1, 2) with 8-10 pumps of MPG.



t28om023h.eps

Lube Trencher Pivot Stub

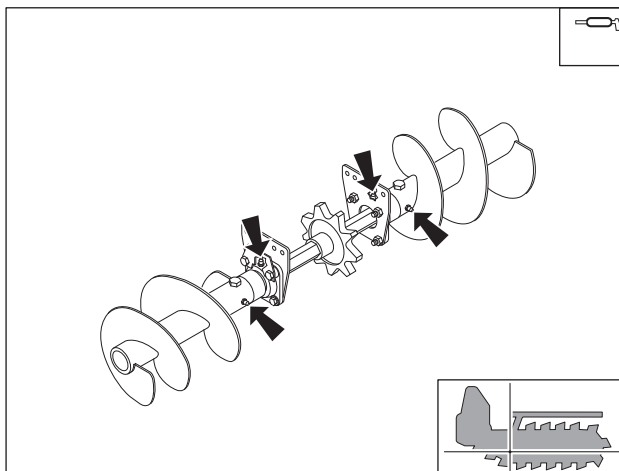
Wipe zerk clean and lube every 10 hours with MPG.



t28om024h.eps

Lube Trencher Auger Bearings and Sleeve

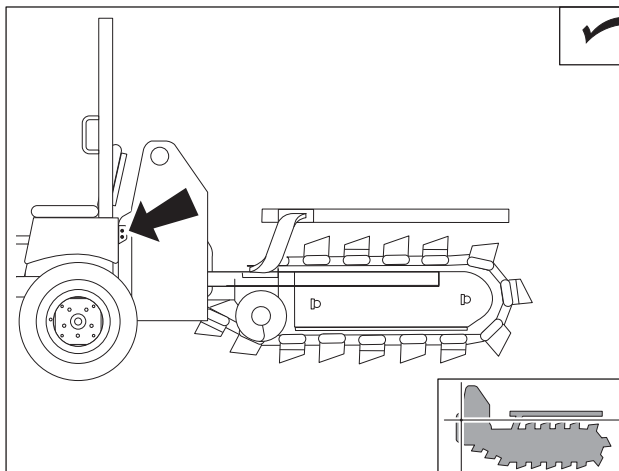
Wipe four zerks clean and lube every 10 hours with MPG every 10 hours.



t28om025h.eps

Check Trencher Mounting Bolts

Check bolts every 10 hours. Tighten to 200 ft•lb (271 N•m).



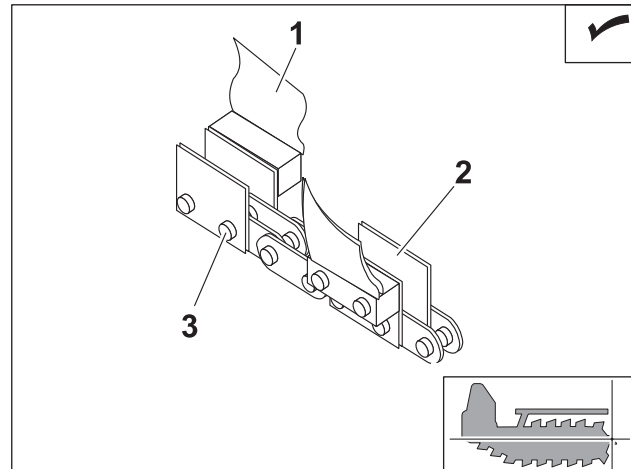
t28om026h.eps

Check Digging Chain

Check teeth (1) for wear every 10 hours. Replace worn teeth, using Ditch Witch® replacement parts and maintaining original tooth pattern.

Check chain every 10 hours. Replace worn or broken chains. If sidebars (2) are bent or loose on chain pins (3), chain spacers should be used to join sidebars.

For more efficient digging, contact your Ditch Witch dealer for information about the tooth pattern best suited to your jobsite, or see page 126.



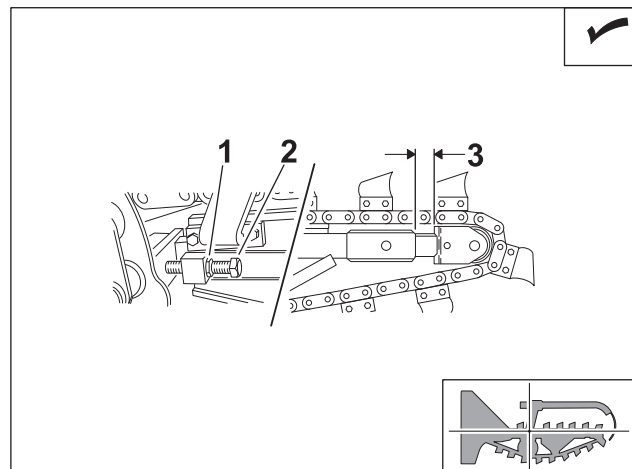
IMPORTANT: If using rock chain bits, check that bits rotate freely. Clean chain and check bits after each use. Replace bit when carbide cap or insert is worn or adapter can be damaged.

Check Digging Chain Tension

Check digging chain tension every 10 hours.

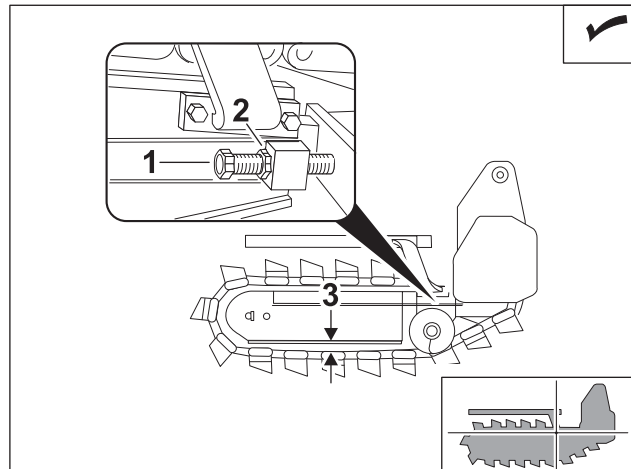
Sprocket Boom

Tension is correct when 2" (50 mm) of slide and stop (3) are exposed. Adjust tension with boom horizontal by tightening or loosening adjustment screws (2) and jam nuts (1).



Roller Boom with Adjusting Screw


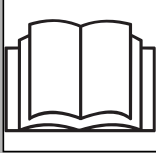
With boom horizontal, measure distance from bottom of boom to chain (3). When properly adjusted, distance should be 1.5-2" (40-50 mm). Adjust tension by tightening or loosening adjustment screw (1) and jam nut (2).



t28om028h.eps

Roller Boom with Grease Cylinder

With boom horizontal, measure distance from bottom of boom to chain (2). When properly adjusted, distance should be 1.5-2.0" (40-50 mm).

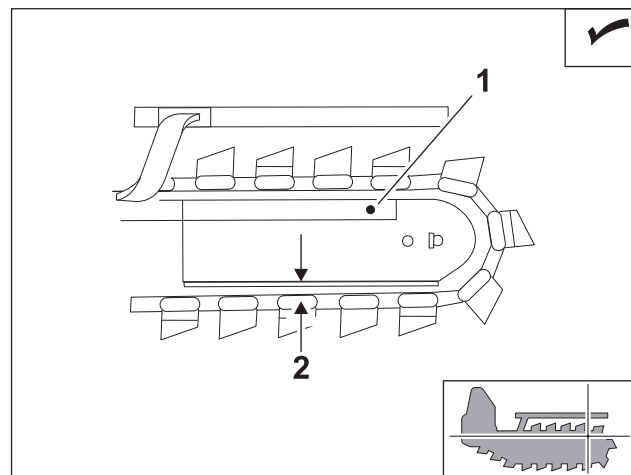



⚠ WARNING

Fluid pressure could pierce skin and cause injury or death. Stay away.

To help avoid injury:

- Service digging boom grease cylinder only while standing on opposite side of boom.
- Wear gloves and safety glasses, and cover fitting with cloth when relieving pressure in cylinder.



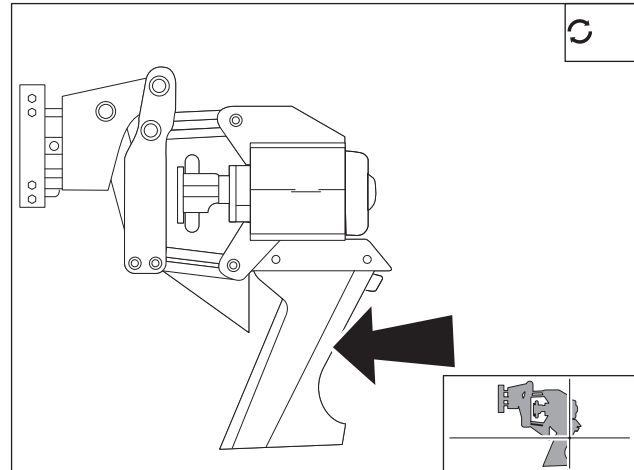
t28om029h.eps

To tighten chain, remove plug and pump MPG into cylinder (1). To relieve chain tension, loosen plug on grease cylinder.

Plow

Clean Feed Tube

Clean feed tube every 10 hours. Oil if necessary.

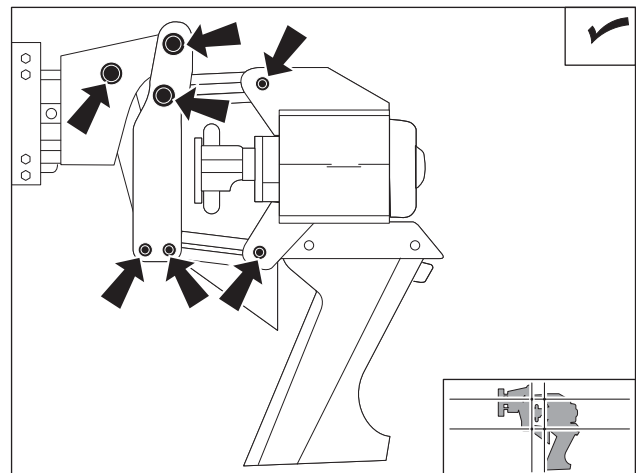


t28om033h.eps



Check Plow Arm Pins and Bushings

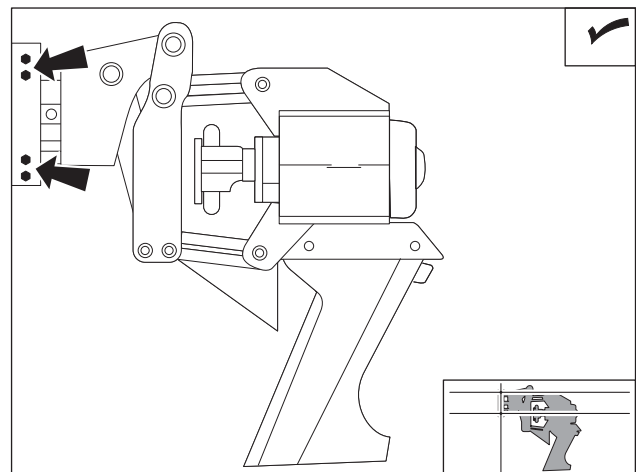
Check plow arm pins and bushings every 10 hours. Replace bushings at first sign of wear.



t28om032h.eps

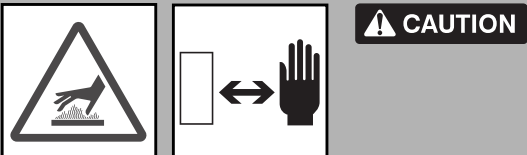
Check Plow Mounting Bolts

Check bolts every 10 hours. Tighten to 200 ft•lb (271 N•m). Check floating cable feed bolts for looseness or wear.



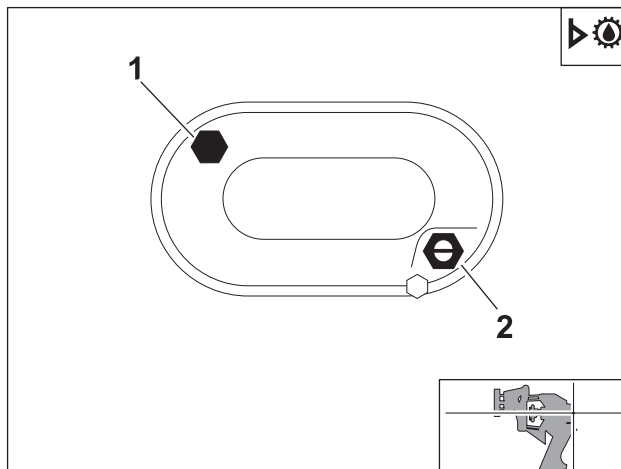
t28om035h.eps

Check Plow Vibrator Oil Level



Hot parts may cause burns. Do not touch until cool or wear gloves. 275-355 (2-P), 273-423 (2-P)

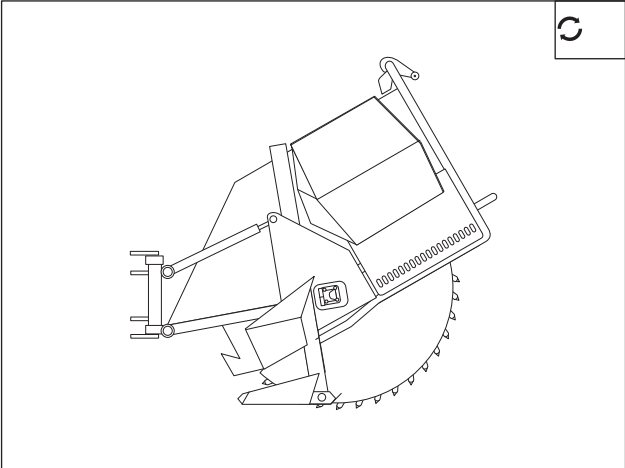
Check plow vibrator oil level every 10 hours. With vibrator horizontal, oil should be halfway up sight glass (2). Add MPL as needed at fill (1).



Saw

Clean Saw

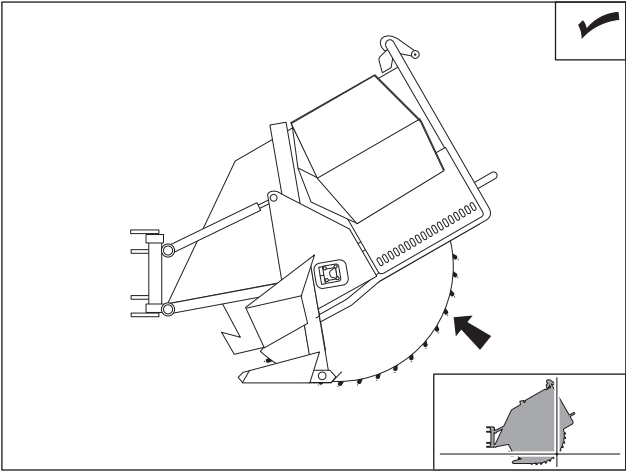
Clean saw every 10 hours. Wash bolts and mounting blocks with high-pressure water.



t28om037h.eps

Check Bits

Check bits every 10 hours. Clean and check bits for free rotation. If bits are stuck, remove and clean packed soil from retaining ring. Replace bit when tungsten cap or insert is worn. For best results, use retaining clip loading and removing tool and a knock-out bar included with saw to remove and reinsert bits.

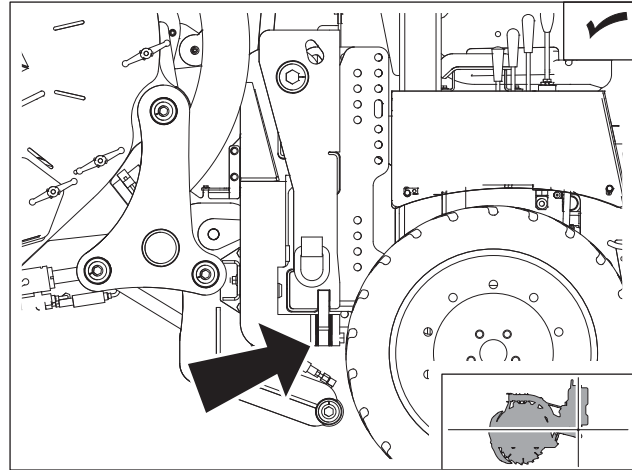


t28om038h.eps

Microtrencher

Inspect Slide Plate

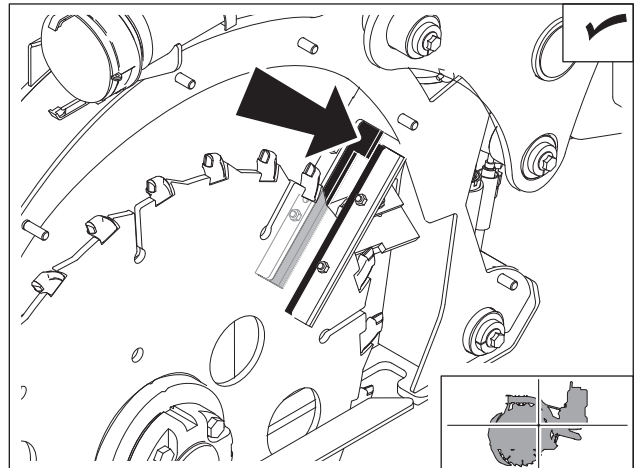
Inspect side plate for wear every 10 hours.
Replace as needed.



t28om073h.eps

Inspect Spoils Deflectors

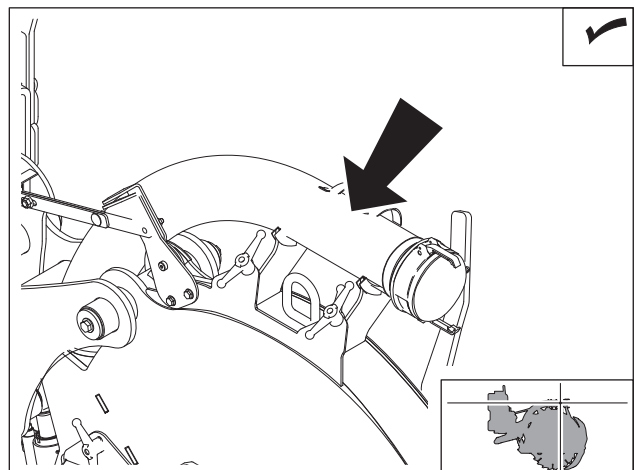
If not using a vacuum system for spoils removal, inspect spoils deflectors inside microtrencher frame every 10 hours. Clean vacuum chute and replace deflectors as needed.



t28om074h.eps

Check Trencher Vacuum Hoses

If using a vacuum system for spoils removal, check inside of hoses for caked spoils every 10 hours. Clean as needed.

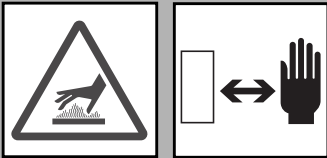


t28om075h.eps

100' (30.5 m)

Inspect Microtrencher Blade and Bits

Remove blade cover and inspect blade and bits for wear every 100' (30.5 m), or when performance declines.



CAUTION Hot parts may cause burns. Do not touch until cool.

To help avoid injury: Do not touch hot blade and bits.



Fixed Bits

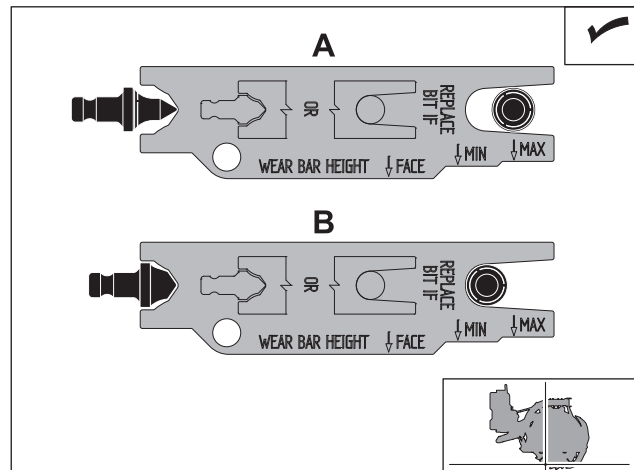
Replace blade when bits are worn. See “Change Blade” on page 172.

Rotating Conical Bits

- Check that all bits are rotating freely in bit blocks. If bits are stuck, tap with a brass or rubber mallet.
- Use gauge (shown, p/n 301-1507) to check bit condition. Replace bits when carbide components become dull or excessively worn. Always replace bits and roll pins in complete sets. Do not mix old and new bits. Always use new roll pins.

A: Bits okay.

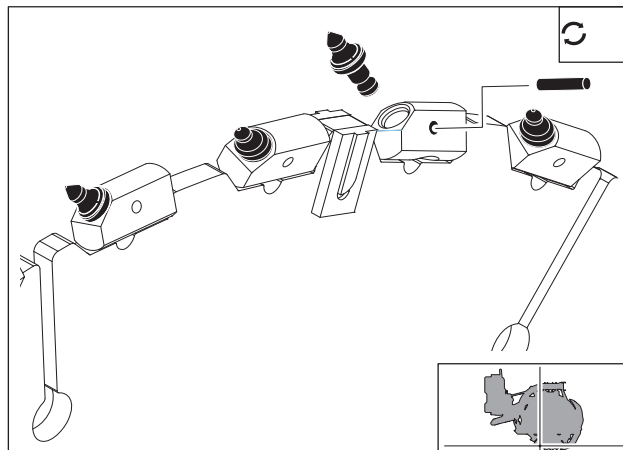
B: Replace bits if outer diameter or length is excessively worn as indicated by gauge.



t28om081h.eps

To replace bits:

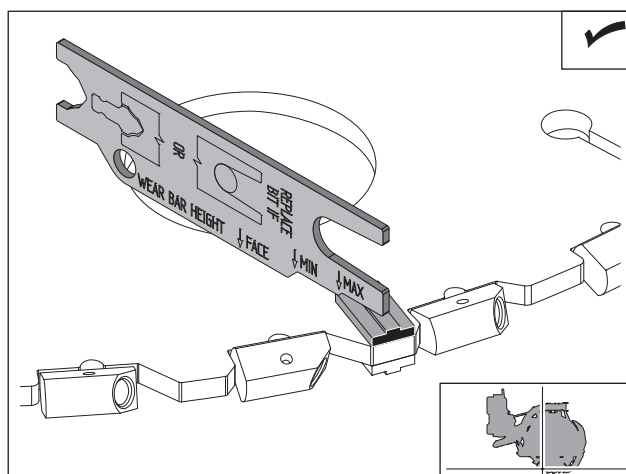
1. Drive out roll pin and remove old bit.
2. Install new bit into holder and drive in new roll pin.



t28om080h.eps

Wear Bars / Hard-Surface Material

Use gauge (shown, p/n 301-1507) to check thickness of wear bars/hard-surface material on blade. Replace wear bars/hard-surface material as needed to protect bit holders.



t28om082h.eps

50 Hour

Location	Task	Notes
TRACTOR	Clean oil cooler	
	Check belt tension	
	Lube backfill blade swing	MPG
TRENCHER/ COMBO	Lube frame slide	MPG
SAW	Lube lift cylinders	MPG

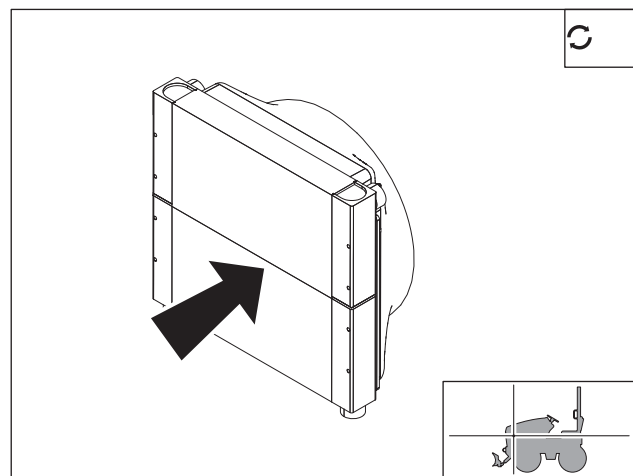


Clean Oil Cooler

Clean oil cooler/radiator with compressed air or spray wash every 50 hours of operation. Clean more often if operating in dusty or grassy conditions. Be careful not to damage fins with high-pressure air or water.

To clean:

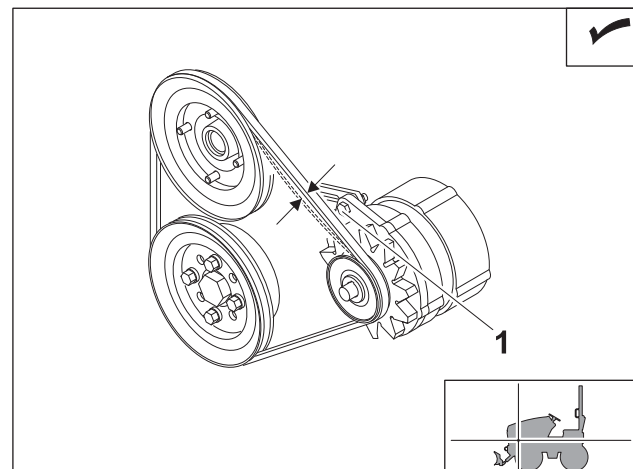
1. Clean fins with compressed air or spray wash.
2. Remove grill and spray through cooling fins away from engine.
3. If grease and oil are present on cooling fins, spray with solvent and allow to soak overnight.



t28om041h.eps

Check Belt Tension

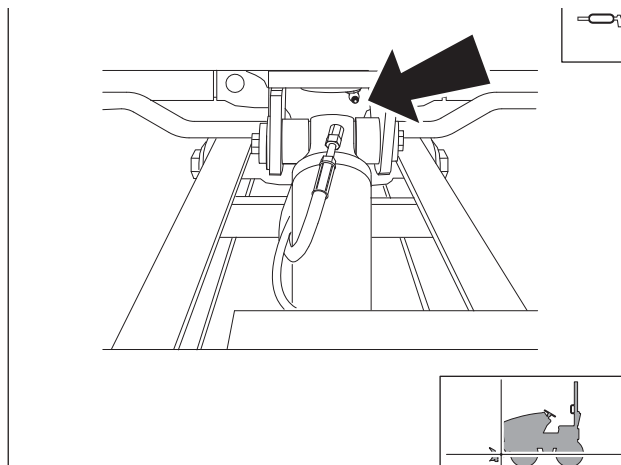
Check belt tension every 50 hours. Belt is properly tensioned when it moves about 3/8" (10 mm) when pushed. If belt is loose, loosen alternator bolts (1) and adjust alternator. Retighten bolts.



t28om042h.eps

Lube Backfill Blade Swing

Lube zerk with 2-3 shots of MPG every 50 hours.

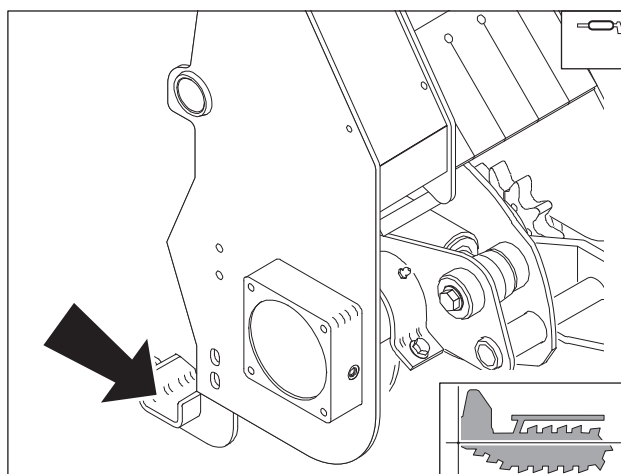


t28om043h.eps

Trencher

Lube Frame Slide

Lube frame slide with MPG every 50 hours.

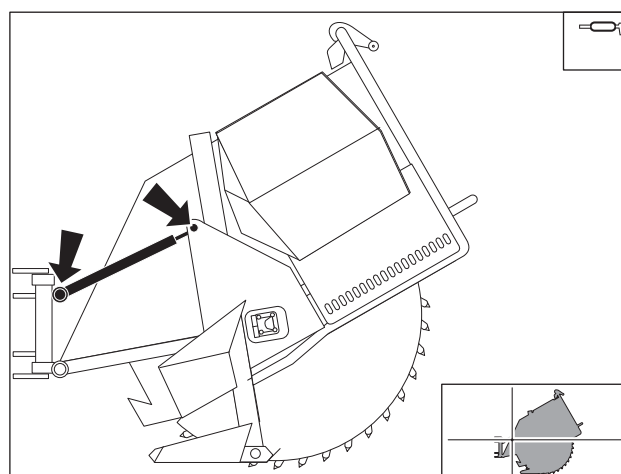


t28om044h.eps

Saw

Lube Lift Cylinders

Lube lift cylinders with MPG every 50 hours. Lube rod and barrel end of each cylinder.



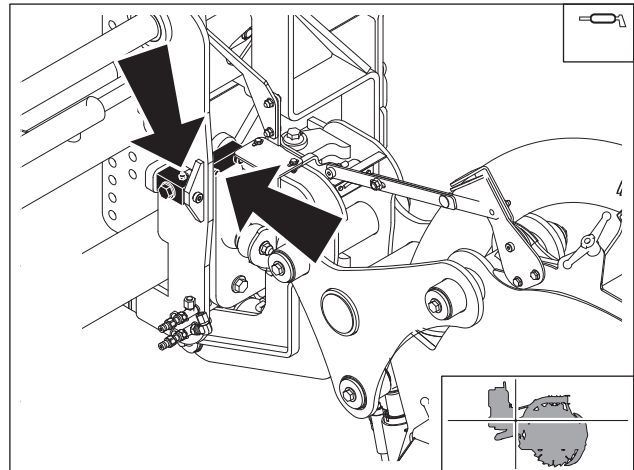
t28om040h.eps

100 Hour

Location	Task	Notes
MICRO-TRENCHER	Lube manual tilt adjustment	MPG

Lube Manual Tilt Adjustment

Lube two zerks on manual tilt adjustment with MPG every 100 hours.



500 Hour

Location	Task	Notes
TRACTOR	Change engine oil and filter	DEO
	Change primary fuel filter	
	Change hydraulic filter	
	Check differential oil	MPL
	Check gearbox oil	MPL
	Lube cross and bearings	MPG
	Lube universal joints	MPG
PLOW/ COMBO	Change plow vibrator oil	MPL

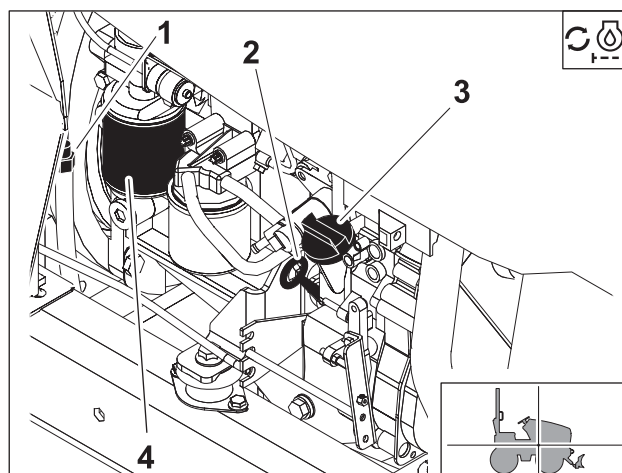
Tractor

Change Engine Oil and Filter

Change oil and filter every 500 hours.

To change:

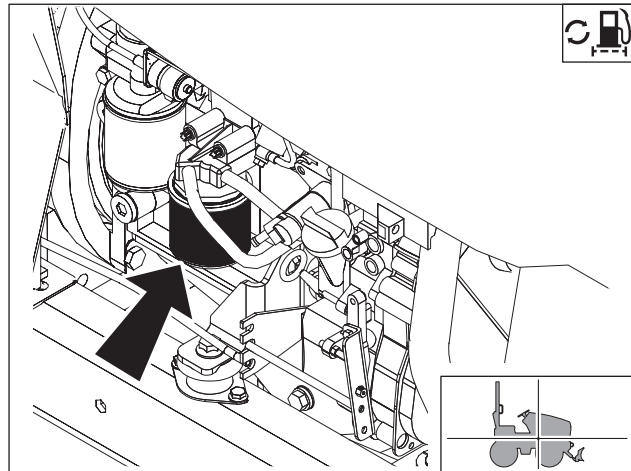
1. Drain crankcase (1) while oil is warm.
2. Replace filter (4) each time oil is changed.
3. Add DEO at fill neck (3) until oil level is at highest line on dipstick (2). Capacity is 6 qt (5.5 L).



t28om046h.eps

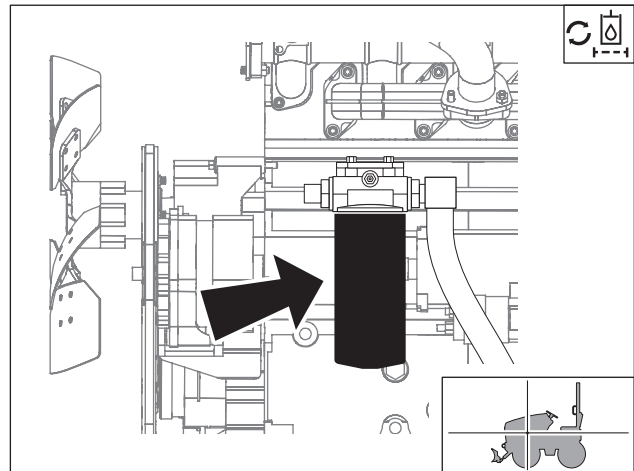
Change Primary Fuel Filter

Change primary fuel filter every 500 hours.



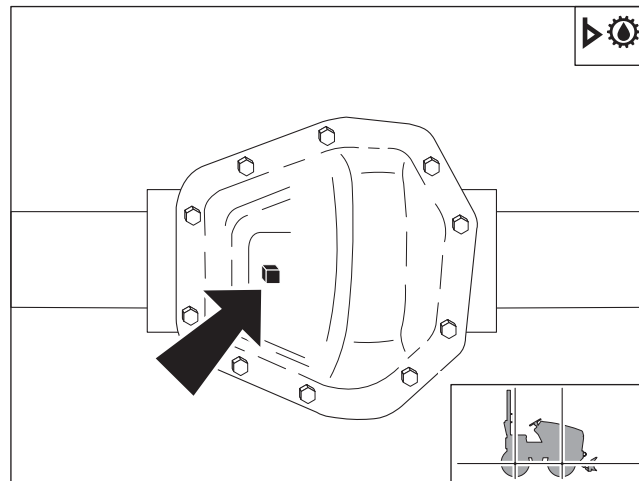
Change Hydraulic Filter

Change hydraulic filter every 500 hours.



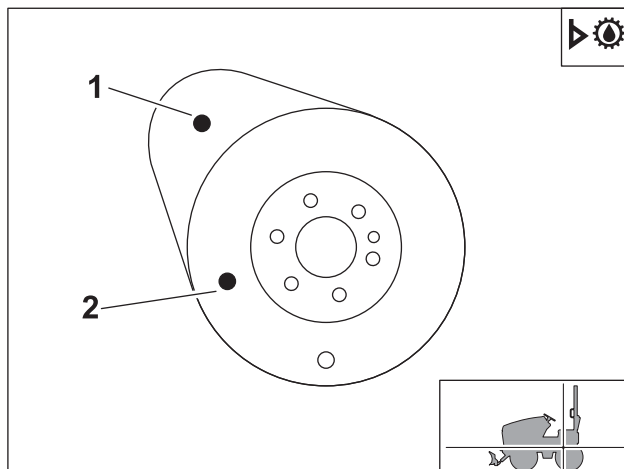
Check Differential Oil Level

Check oil level at fill plug every 500 hours. Add MPL as needed.



Check Gearbox Oil Level

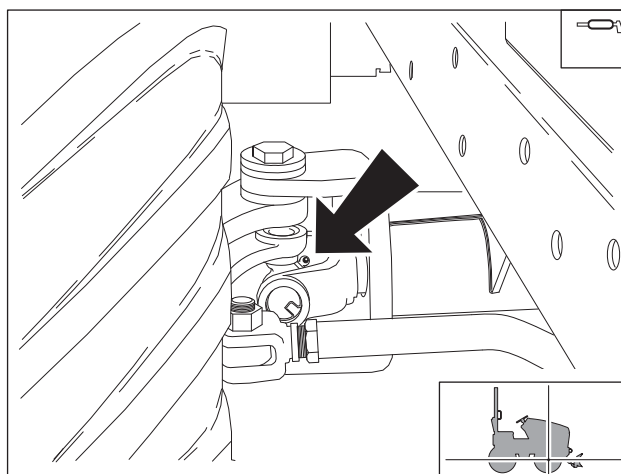
Check oil level at check plug (2) every 500 hours.
Add MPL at fill (1) as needed.



t28om050h.eps

Lube Cross and Bearings

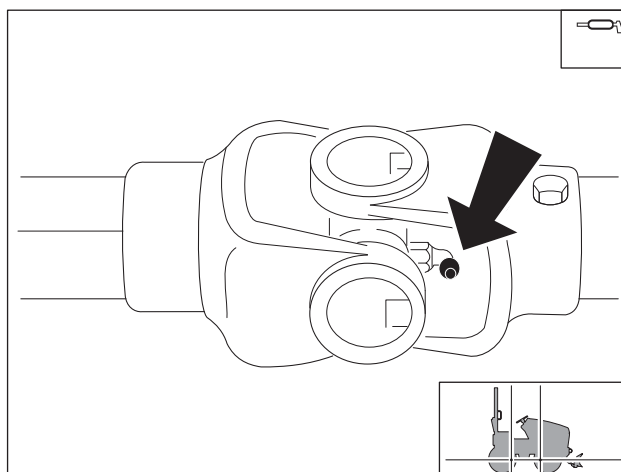
Lube zerks with 2-3 shots of MPG every 500 hours.



t28om051h.eps

Lube Universal Joints

Lube zerks with MPG every 500 hours.



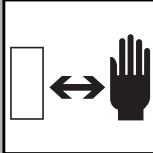

t28om052h.eps

Plow

Change Plow Vibrator Oil

Change plow vibrator oil every 500 hours.

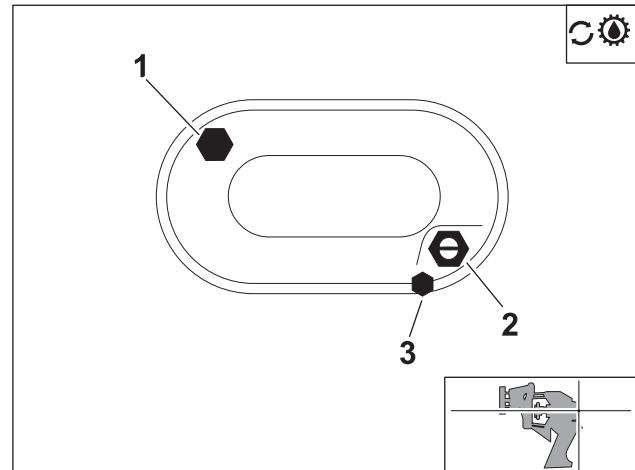
To change:



⚠ CAUTION

Hot parts may cause burns. Do not touch until cool.

To help avoid injury: Do not drain oil from plow vibrator when hot. Let vibrator cool before removing drain plug.



t28om036h.eps



1. Open fill (1) to vent vibrator.
2. Drain oil at drain plug (3).
3. Replace plug and move plow vibrator to horizontal position.
4. Add MPL at fill (1) until oil is halfway up sight glass (2).

1000 Hour

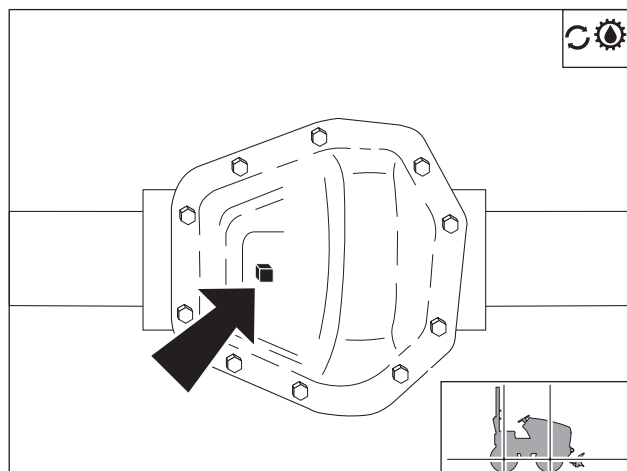
Location	Task	Notes
TRACTOR	Change differential oil	MPL
	Change ground drive gearbox oil	MPL
	Change hydraulic fluid and filter	THF

Change Differential Oil

Change differential oil every 1000 hours.

To change:

1. Remove cover and drain oil.
2. Replace cover.
3. Add MPL at fill plug until oil is visible at plug.
 - For model 44 differentials, capacity is 5 pt (2.3 L) for front and 5.5 pt (2.6 L) for rear.
 - For model 60 differentials, capacity is 5.9 pt (2.8 L) for front and rear.



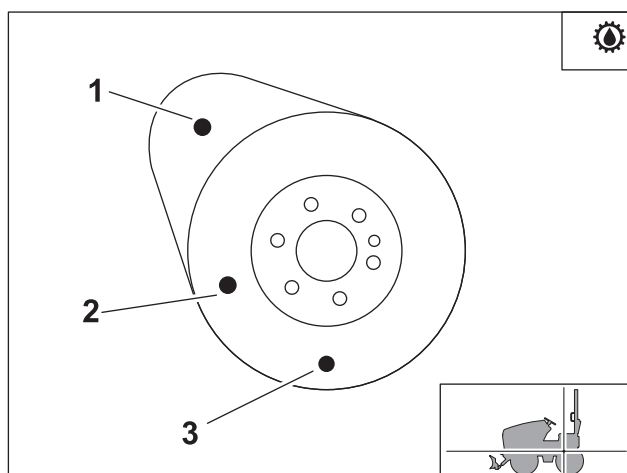
t28om053h.eps

Change Ground Drive Gearbox Oil

Change ground drive gearbox oil every 1000 hours.

To change:

1. Remove drain plug (3).
2. Drain oil and replace plug.
3. Add MPL at fill (1) until oil comes out at check plug (2). Capacity is 2 pt (0.96 L).



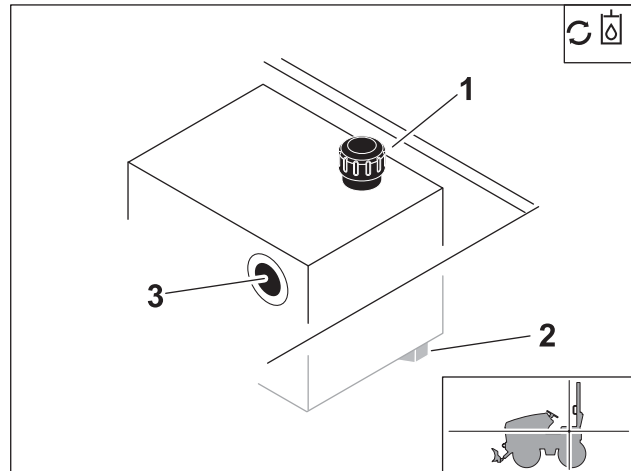
t28om055h.eps

Change Hydraulic Oil and Filter

Change hydraulic oil and filter every 1000 hours.

To change:

1. Remove drain plug (2).
2. Drain fluid and replace plug.
3. Change filter. See "Change Hydraulic Filter" on page 157.
4. Add THF at fill (1), until fluid is at halfway point on sight glass (3). Hydraulic reservoir capacity is 9.5 gal (36 L). Hydraulic system capacity is 13 gal (49 L).



t28om054h.eps



As Needed

Location	Task	Notes
TRACTOR	Adjust parking brake	
	Check battery	
	Charge battery	
	Inspect seat belt	
TRENCHER	Replace digging chain and teeth	
PLOW	Replace sod cutter and blade	
	Replace plow blade pins and bushings	
COMBO	Complete all service items for trencher and plow	
BACKHOE	Replace backhoe pins and bushings	
MICRO-TRENCHER	Change blade	
	Bleed level cylinder	
	Change spoils deflector	

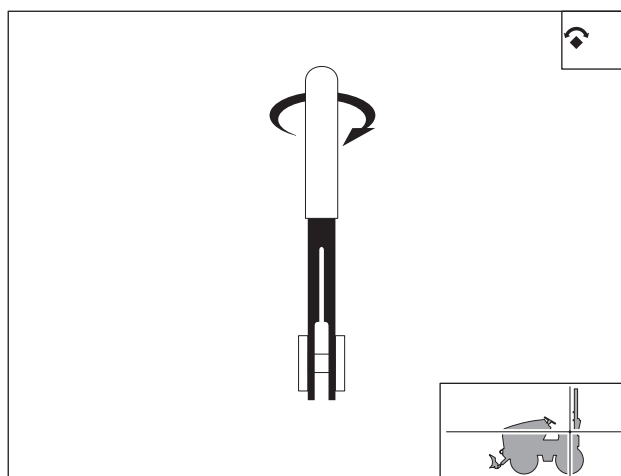
Tractor

Adjust Parking Brake

Adjust parking brake as needed.

To tighten:

1. Disengage parking brake.
2. Remove orange sleeve.
3. Twist lever clockwise. Engage parking brake to test tension.
4. Repeat 1-3 until parking brake is properly adjusted.
5. Replace orange sleeve.



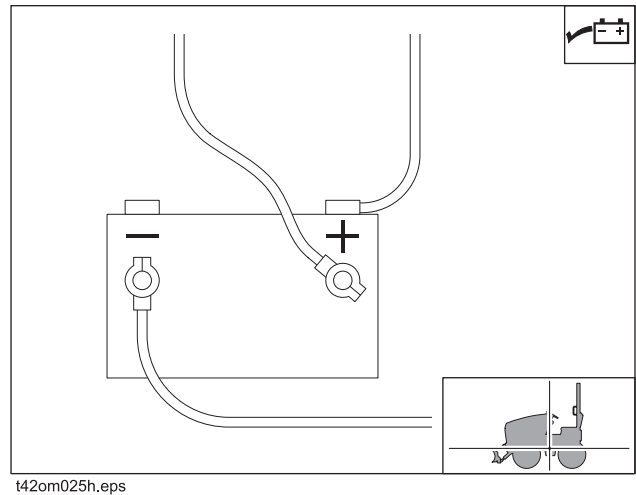
t28om056h.eps

Check Battery

Check battery as needed. Keep battery clean and terminals free of corrosion.

To clean:

1. Turn battery disconnect switch, if equipped, to the off position.
2. Ensure that no ignition sources are near batteries.
3. Loosen and remove battery cable clamps carefully, **negative (-)** cable first.
4. Clean cable clamps and terminals to remove dull glaze.
5. Check for signs of internal corrosion in cables.
6. Apply MPG to terminals after cleaning to reduce corrosion.
7. Connect battery cable clamps, **positive (+)** cable first.
8. Tighten any loose connections.
9. Ensure that battery tiedowns are secure.
10. Turn battery disconnect switch to the on position.



WARNING

Explosion possible. Serious injury or equipment damage could occur. Follow directions carefully.

To help avoid injury: Do not create sparks and do not short across battery terminals for any reason.

Charge Battery



⚠ WARNING Explosion possible. Serious injury or equipment damage could occur. Follow directions carefully.

To help avoid injury:

- Use a single 12V maximum source for charging. Do not connect to rapid chargers or dual batteries.
- Use caution and wear personal protective equipment such as safety eyewear, when charging or cleaning battery.
- Keep sparks, flames, and any ignition source away from batteries at all times. Internal contents are extremely hazardous. Leaking fluid is corrosive. Battery may be explosive at higher temperatures.
- NEVER lean over battery when making connections.
- Do not allow vehicles to touch when charging.
- Do not attempt to charge a battery that is leaking, bulging, heavily corroded, frozen, or otherwise damaged.
- NEVER short-circuit battery terminals for any reason or strike battery posts or cable terminals.
- Refer to MSDS for additional information regarding this battery.

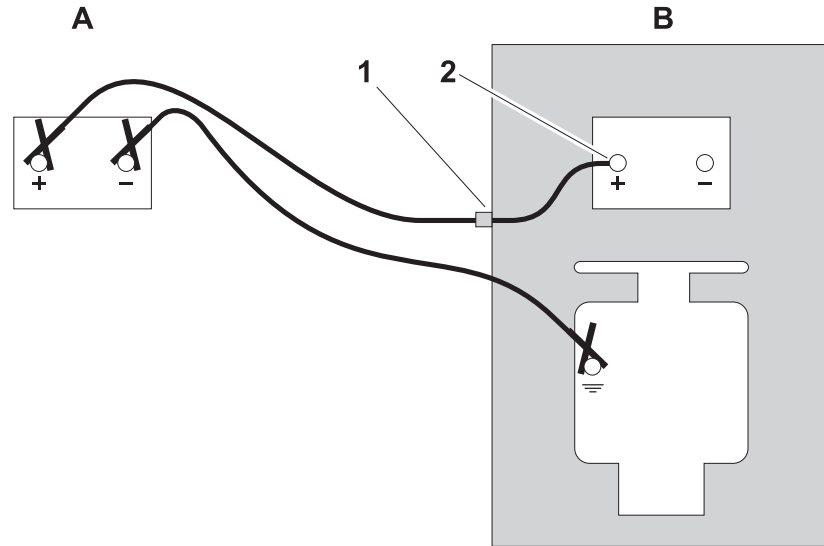
Before You Start

Electronic components can be easily damaged by electrical surges. Jump starting can damage electronics and electrical systems, and is not recommended. Try to charge the battery instead. Use quality large diameter jumper cables capable of carrying high currents (400 amps or more). Cheap cables may not allow enough current flow to charge a dead/discharged battery.

Read all steps thoroughly and review illustration before performing procedure.

Charging Procedure (Engine Off)

1. Park service vehicle close to disabled equipment but do not allow vehicles to touch. Engage parking brake in both vehicles.
2. Turn the ignition switch to the OFF position in both vehicles, and turn off all electrical loads. Disconnect the machine controller.



3. Inspect battery in disabled vehicle (B) for signs of cracking, bulging, leaking, or other damage. Connect red positive (+) jumper cable clamp to positive (+) post (2) of battery in disabled vehicle first.

IMPORTANT: Some equipment may have a positive jumper cable terminal (1) located externally. If so equipped, connect red positive (+) jumper cable clamp to terminal.

4. Connect the other red positive (+) jumper cable clamp to positive (+) post of battery (A) in the service vehicle.
5. Connect black negative (-) cable clamp to negative (-) post of battery (A) in service vehicle.
6. Connect the other black negative (-) cable clamp to the engine or frame ground on the disabled vehicle, at least 12" (305 mm) from the failed battery, as shown.
7. Operate service vehicle engine at 1500-2000 rpm for a few minutes to build an electrical charge in the failed battery.
8. Stop engine in service vehicle.
9. Remove jumper cables from the service vehicle, black negative (-) clamp first. Do not allow clamps to touch.
10. Remove black negative (-) cable clamp from the disabled engine or frame ground first.
11. Remove red positive (+) cable clamp from the disabled vehicle positive (+) battery post last.
12. Reconnect machine controller and try to start disabled vehicle.

If the disabled vehicle did not start, check for loose or corroded battery cable connections. Poor connections will prevent current from charging the failed battery. Clean terminals and posts if necessary and repeat steps above.

Inspect Seat Belt

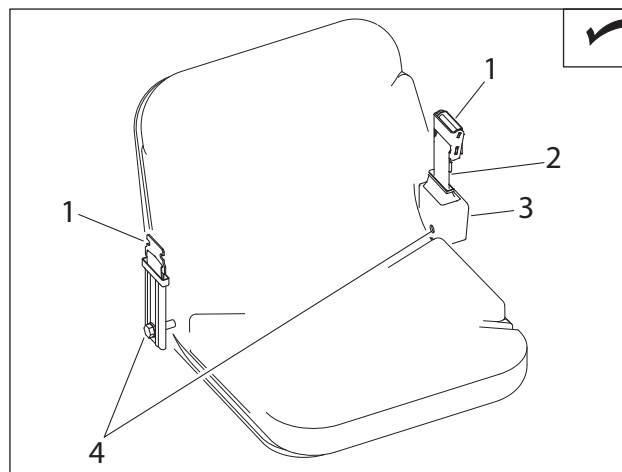
Check seat belt and mounting hardware as needed. Inspect the webbing, buckle and latch, retractor, and mounting hardware.

Buckle and Latch

Check that the buckle and latch (1) are not broken or corroded. When inserting the latch into the buckle, the latch should insert smoothly until an audible click is heard. Latch should not release when the seat belt is tugged.

Webbing

Inspect seat belt webbing (2) to ensure that it is not cut, frayed or showing signs of extreme or unusual wear. Check the area near the buckle and latch and anywhere the seat belt has contact with equipment or seat.



SeatBeltService.eps

Retractor

Check that the retractor (3) operates smoothly when the belt is pulled and released. Retractor should spool belt without locking.

Mounting Hardware

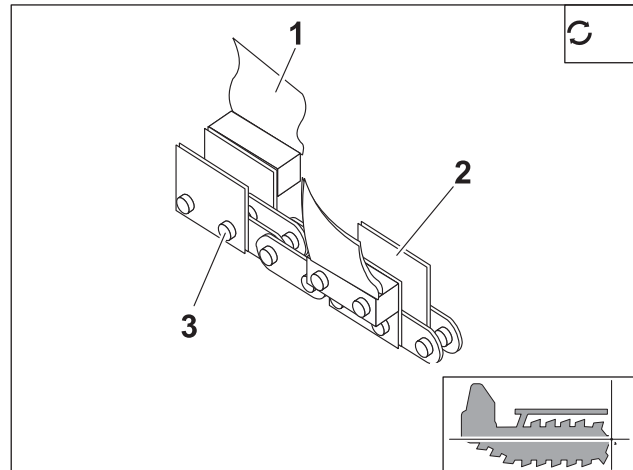
Inspect the seat belt mounting bolts (4) on both sides of the seat to ensure they are tight. Replace missing, damaged, or corroded bolts.

Trencher

Replace Digging Chain

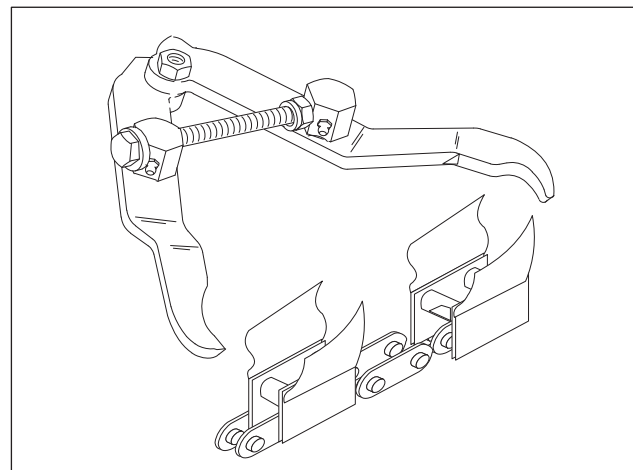
Visually check digging chains for wear on rollers and sidebars (2). Check pins (3) and bushing wear by measuring distance between chain pins and comparing it with a new chain. Also check digging teeth (1).

NOTICE: Replace sprockets when a new chain is installed.



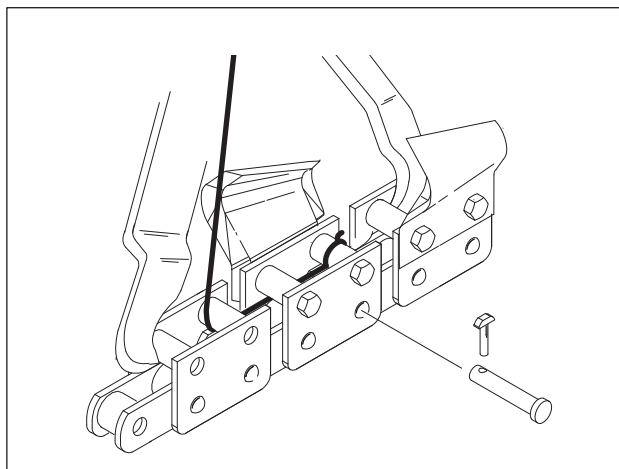
To remove chain:

1. Fasten and adjust seat belt.
2. Start tractor. See page 70 for proper start-up procedures.
3. Move attachment direction/speed control until digging chain connector pin is on top of boom.
4. Lower boom to ground.
5. Engage parking brake.
6. Turn ignition switch to STOP.
7. Roller booms: Secure chain by clamping links on either side of connector pin with chain jaws (shown). Squeeze jaws to reduce pressure on connector pin.

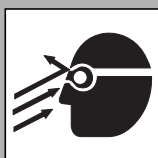


Sprocket booms: Lock rear idler sprocket.

8. Loop cable through links nearest connector pin.



Digging_Chain_Remove_02.eps

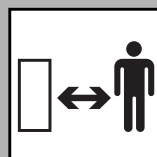


WARNING Fluid pressure could pierce skin and cause injury or death. Stay away.

To help avoid injury:

- Service digging boom grease cylinder only while standing on opposite side of boom.
- Wear gloves and safety glasses, and cover fitting with cloth when relieving pressure in cylinder.

9. Loosen plug on grease cylinder or turn tension bolts counterclockwise to relieve chain tension.
10. Stand clear of chain and remove lock key from connector pin. Drive connector pin out of link.



WARNING Crushing weight could cause death or serious injury. Use proper procedures and equipment or stay away.

11. Unclamp links. Slowly release cable and lower chain to ground.
12. Lay chain on ground with teeth down.

To install chain:

1. Lay chain on ground with teeth down and pointed toward unit. Loop cable through end links.
2. Fasten and adjust seatbelt.
3. Start tractor. See page 70 for start-up procedures.
4. Disengage parking brake.
5. Move ground drive control to reverse.
6. Back unit up until chain extends past head shaft about 1' (305 mm).
7. Move ground drive control to neutral.
8. Lower backfill blade to ground.
9. Lower boom to horizontal position.
10. Engage parking brake.
11. Turn ignition switch to STOP.
12. Pull rear end of chain over tail roller or sprocket.
13. Pull until chain is in place on boom.
14. Move chain down boom until chain connector pin and lock key can be installed. Install connector pin and lock key.
15. Tighten chain by pumping EPG into grease cylinder.

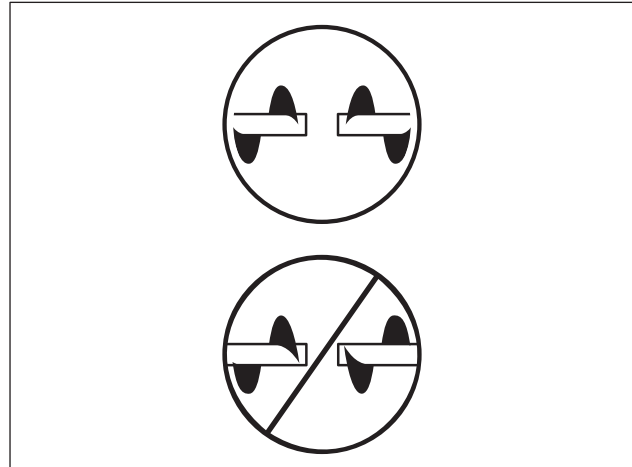


Time Augers

Ensure that augers are balanced, as shown. If auger timing is off, unit will bounce from side to side even in normal digging conditions.

To adjust timing:

1. Remove bolts holding augers to auger shaft and rotate either auger as needed until augers are balanced.
2. Reinstall bolts and tighten securely.

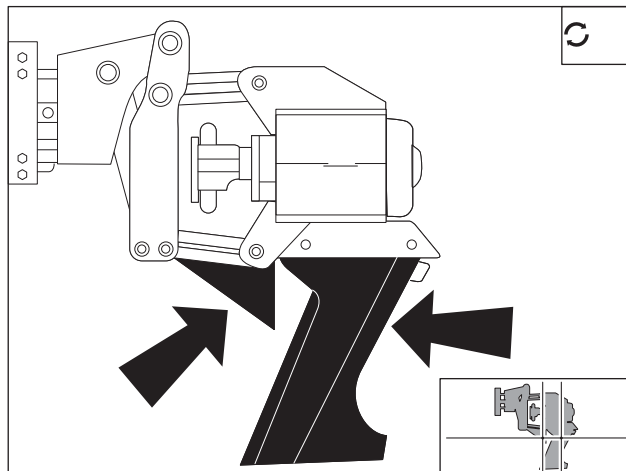


Augers_Adjust.eps

Plow

Replace Sod Cutter and Blade

Replace worn sod cutter and plow blade as needed.

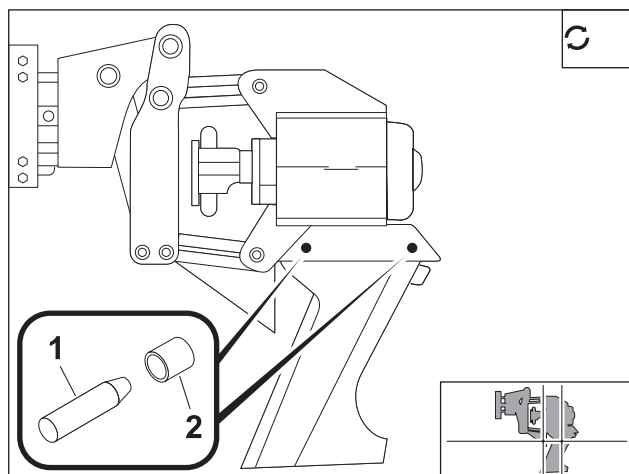


t28om057h.eps

Replace Plow Blade Pins and Bushings

Check plow blade pins and bushings for wear and replace as needed.

NOTICE: Operating plow with worn or missing bushings will damage equipment.

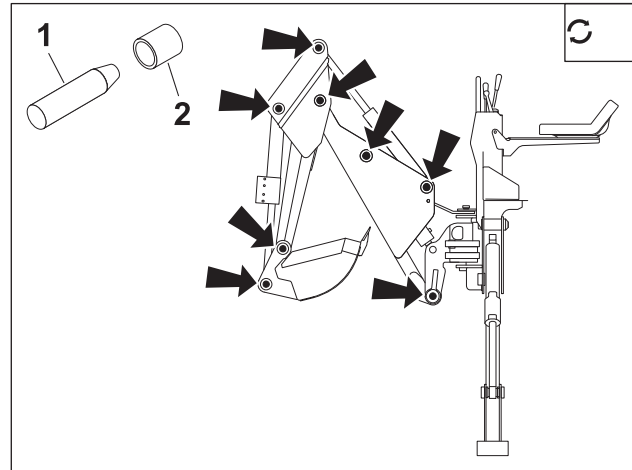


t28om058h.eps

Backhoe

Replace Pins and Bushings

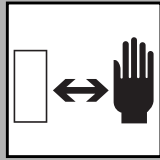
Replace pins (1) and bushings (2) when worn or damaged.



t28om059h.eps



Microtrencher



CAUTION

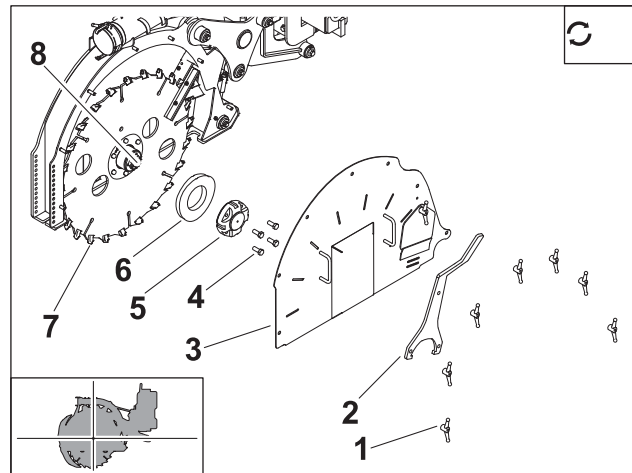
273-423

Hot parts may cause burns. Do not touch until cool.

To help avoid injury: Do not touch hot blade and bits.

Change Blade

1. Start tractor, position microtrencher slightly above ground, then shut down tractor.
2. Remove 7 wingnuts (1), spanner wrench (2), and cover (3).
3. Loosen clamp bolts (4) and use spanner wrench (2) to remove large nut (5). (Insert a pry bar through cutout in blade to keep blade from turning.)
4. Remove spacer (6) and blade (7).
5. Clean threads on hub (8) and nut (6). If needed, apply a dry lubricant such as graphite or silicone to threads.



NOTICE:

- Do not use petroleum-based lubricant which can attract and hold dust and grit in threads.
- Do not tighten large nut when blade has contact with ground. Blade may not be straight.

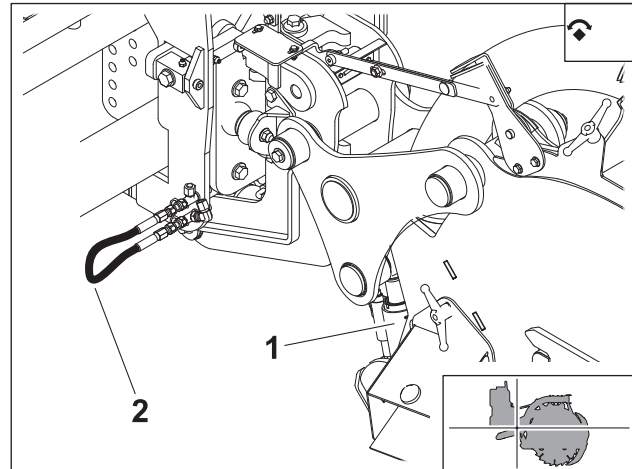
6. Install new blade (note direction of rotation), spacer (6), and large nut (5).
7. Use spanner wrench to fully tighten large nut (5).
8. Tighten clamp bolts (4) to 100-120 ft-lb (135-160 N-m).
9. Loosen clamp bolts (4) and repeat steps 7 and 8.
10. Install cover, spanner wrench, and wingnuts.

Bleed Level Cylinder

Bleed air from level cylinder whenever the hydraulic hoses have been disconnected, or when excessive bounce is noticed.

To bleed cylinder:

1. Remove blade (see page 172).
2. Start tractor.
3. Use level control to fully retract level cylinder (1) until it is vertical.
4. Use lift control to lower rear of microtrencher to just above the ground.
5. Shut down tractor and operate controls to relieve residual pressure in the level cylinder circuit.
6. Connect jumper hose (2, p/n 350-2479) to test ports on left side of microtrencher.
7. Start tractor and set throttle to low speed.
8. Push level control to slowly extend cylinder to full length. Hold lever at full range for 10 seconds. Air trapped at top of cylinder will return to tank.
9. Pull control lever to slowly retract cylinder. Hold lever for 10 seconds. Air trapped at bottom of cylinder will return to tank.
10. Repeat steps 7 and 8.
11. Shutdown tractor and remove jumper hose.

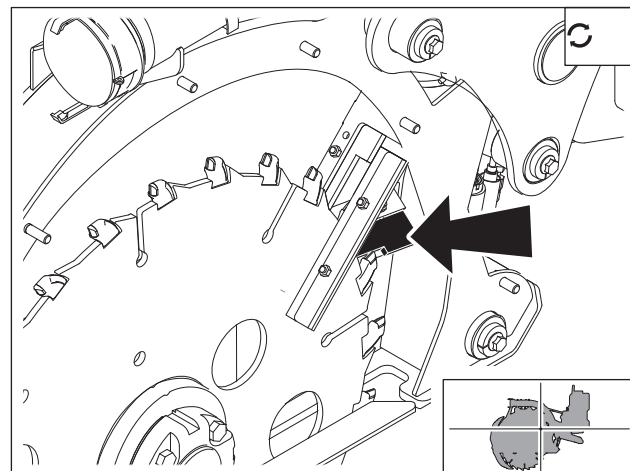


Change Spoils Deflector

If not using vacuum system for spoils removal, change spoils deflectors when excessive spoils are left inside trench. Deflector is most effective when it fits next to the blade.

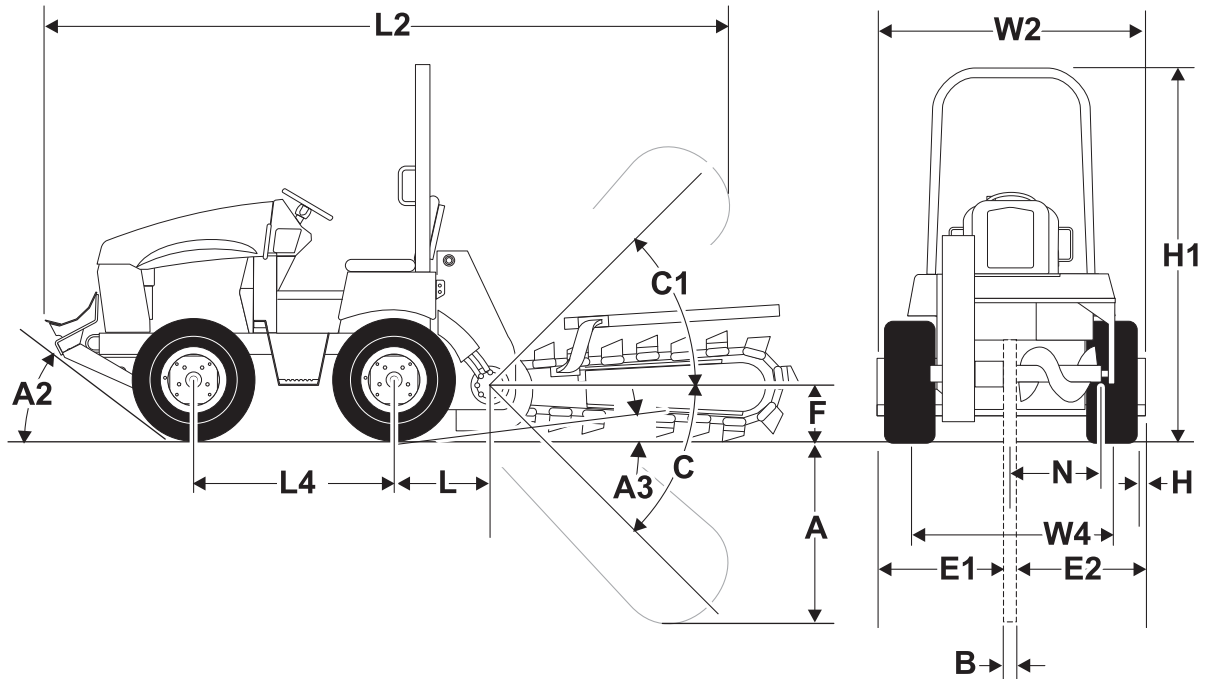
To change:

1. Remove cover.
2. Replace all old spoils deflectors on saw frame, cover, and spoils chutes, noting orientation on decal on spoils chute.
3. Install cover.



Specifications

RT45 Tractor with H313 Trencher



t14om087h.eps

Dimensions *		U.S.	Metric
A	Trench depth, maximum	63 in	1.6 m
A2	Angle of approach	20°	20°
A3	Angle of departure	17°	17°
B	Trench width, minimum to maximum	6-12 in	150-305 mm
C	Boom travel down	58°	58°
C1	Boom travel up	50°	50°
E1	Centerline trench to outside edge of unit, left	35 in	890 mm
E2	Centerline trench to outside edge of unit, right	29 in	740 mm
F	Headshaft height, digging chain	17 in	430 mm
H	Overhang beyond tire	3.5 in	90 mm
H1	Height	86 in	2.2 m
L	Headshaft overhang	24.5 in	620 mm
L2	Length, transport	155 in	3.9 m

L4	Wheelbase	48 in	1.2 m
N	Spoil discharge reach, minimum to maximum	17-20 in	430-510 mm
W2	Width, transport	64 in	1.6 m
W4	Tread	46 in	1.2 m
	Ground clearance with standard tire, minimum	7 in	180 mm
	Ground clearance with optional tire, minimum	8.5 in	215 mm

* Dimensions are based on H313 attachment and shortest roller boom length, 26 X 12.00-12 standard tire and wheel, and 12" (300-mm) pivot (except references A and B).

General

Ditch Witch® model RT45 tractor, 4-wheel drive, rigid frame, hydrostatic ground drive through rubber tires, conventional 2-wheel power steering, hydrostatic attachment drive, riding tractor

Operation	U.S.	Metric	
Forward speed, maximum	4.3 mph	6.9 km/h	
Reverse speed, maximum	2.7 mph	4.4 km/h	
Digging chain speed @2600 rpm engine speed, maximum	420 fpm	128 m/min	
Vehicle clearance circle (SAE) wall to wall with backfill blade			
	With front steering only	28 ft	8.5 m
	With rear steering	20 ft	6.1 m
Operating weight *		4200 lb	1910 kg
Headshaft speed @2300 rpm engine speed, maximum		210 rpm	210 rpm
Auger: single, tapered, with outboard support bearing			
	Diameter, maximum	24 in	610 mm
	Diameter, minimum	18 in	460 mm
	Length	13 in	330 mm

* Operating weight based on H311 attachment with shortest boom, 6" (150-mm) wide chain, and 175-lb (79-kg) operator.

Backfill Blade	U.S.	Metric
Blade width	64 in	1.6 m
Blade height	14 in	355 mm
Lift height above ground	12 in	300 mm
Blade drop below ground	8 in	200 mm
Maximum swing angle (left/right)	28°	28°
Tilt angle (up/down)	11°	11°

Power	U.S.	Metric	
Engine: Deutz® F3M2011, diesel, EPA Tier 4i, EU stage IIIa			
Cooling medium: oil			
Injection: direct			
Aspiration: natural			
Number of cylinders: 3			
Displacement	142 in ³	2.3 L	
Bore	3.7 in	94 mm	
Stroke	4.4 in	112 mm	
Engine manufacturer's gross power rating (SAE J1995)	42.2 hp	31.5 kW	
Estimated net power rating (SAE J1349)	39 hp	29 kW	
Rated speed	2300 rpm	2300 rpm	
Maximum engine tilt angles*			
	Longitudinal	30°	30°
	Lateral	30°	30°

*Exceeding these operating angles will cause engine damage. This DOES NOT IMPLY machine is stable to maximum angle of safe engine operation.



Power Train

Ground drive transmission: hydrostatic drive infinitely variable from zero to maximum, foot pedal and hand lever operated speed/direction control

Differentials: Dana model 44 (Dana model 60 optional)

Service brake: ground drive speed/direction control brakes machine hydraulically when moved to neutral position

Parking brake: disc, hand-operated

Tires: Load rating at 10 mph (16 km/h)

	standard 26 x 12.00-12 4-ply bar lug inflated to 20 psi (1.4 bar)	1780 lb	807 kg
	optional 29 x 12.50-15 4-ply bar lug; inflated to 30 psi (2.1 bar)	2255 lb	1022 kg

Attachment drive transmission: hydrostatic, lever-operated speed infinitely variable from zero to maximum forward with limited stroke reverse

Hydraulic System	U.S.	Metric	
Ground drive pump capacity @ 2300 rpm	29.3 gpm	111 L/min	
Ground drive pump relief pressure	3750 psi	258 bar	
Attachment pump capacity @ 2600 rpm	29.3 gpm	111 L/min	
Attachment pump relief pressure			
	trencher	5000 psi	345 bar
	plow, saw	3750 psi	258 bar
Auxiliary pump capacity @ 2600 rpm	10.2 gpm	39 L/min	
Auxiliary pump relief pressure	2500 psi	172 bar	

Filtration: return/charge full flow; 15 psi (1 bar) bypass, 10 micron nominal

Fluid Capacities		U.S.	Metric
Fuel tank		13 gal	49 L
Engine oil		6.4 qt	6.1 L
	Initial	8 qt	7.5 L
	Refill	6 qt	5.5 L
Hydraulic reservoir		9.5 gal	36 L
Hydraulic system		13 gal	49 L

Battery

Group 26/26R/70, SAE reserve capacity 110 min., SAE cold crank @ 0° F (-18° C), 800 amps



Noise Levels

Operator ear sound pressure is 86 dBa per ISO 6394

Exterior sound power is 103 dBa per ISO 6393.

Vibration Levels

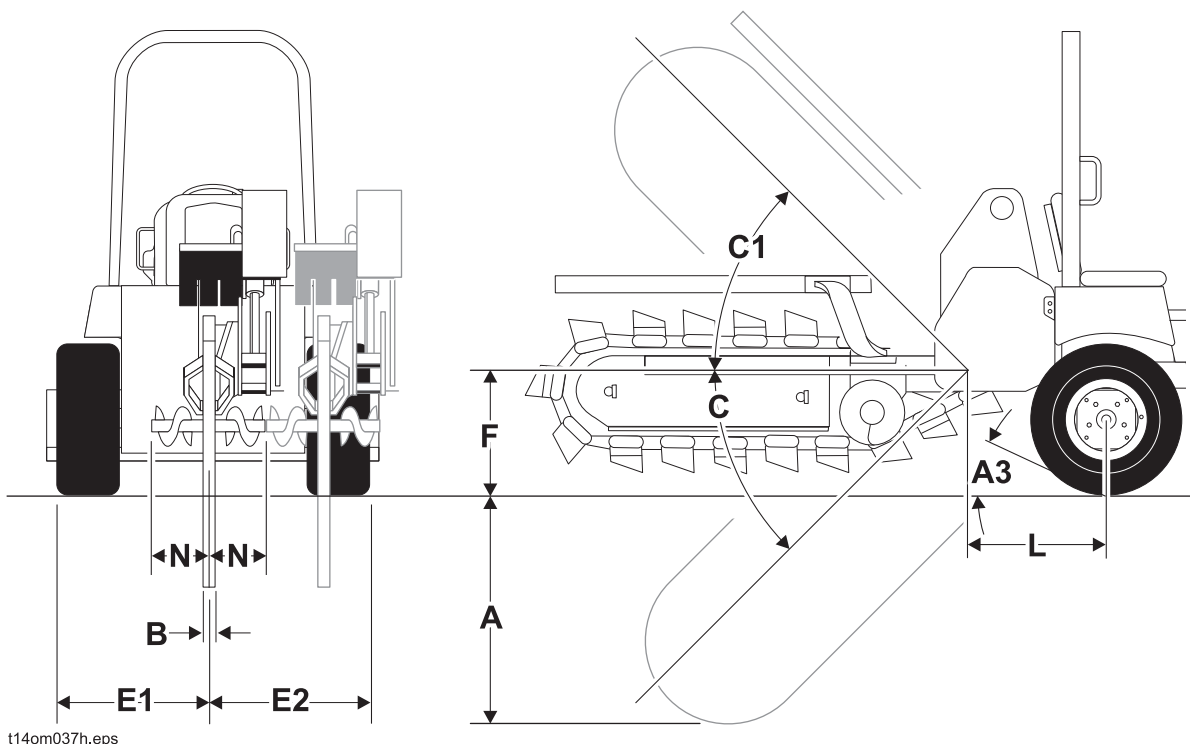
Average vibration transmitted to the operator's hand during normal trenching operation does not exceed 2.5 m/sec². Average vibration transmitted to the operator's whole body during normal trenching operation is 0.8 m/sec².

Average vibration transmitted to the operator's hand and whole body during normal sawing operation is 14.8 m/sec² and 2.3 m/sec² respectively.

Unless otherwise specified, all figures are for standard equipment only.

Specifications are called out according to SAE recommended procedures. Specifications are general and subject to change without notice. If exact measurements are required, equipment should be weighed and measured. Due to selected options, delivered equipment may not necessarily match that described.

H314 Trencher



t14om037h.eps

Dimensions *		U.S.	Metric
A	Trench depth, maximum	52 in	1.3 m
A3	Angle of departure	35°	35°
B	Trench width, minimum to maximum		
	Center	6-12 in	150-305 mm
	Offset	6-8 in	150-200 mm
C	Boom travel down	55°	55°
C1	Boom travel up	51°	51°
E1	Centerline of trench to outside edge, left **		
	Center	30.7 in	780 mm
	Offset	52 in	1.3 m
E2	Centerline of trench to outside edge, right **		
	Center	24.3 in	620 mm
	Offset	3 in	75 mm
F	Headshaft height, digging chain	23.3 in	590 mm
	Overhang beyond tire	4.5 in	115 mm

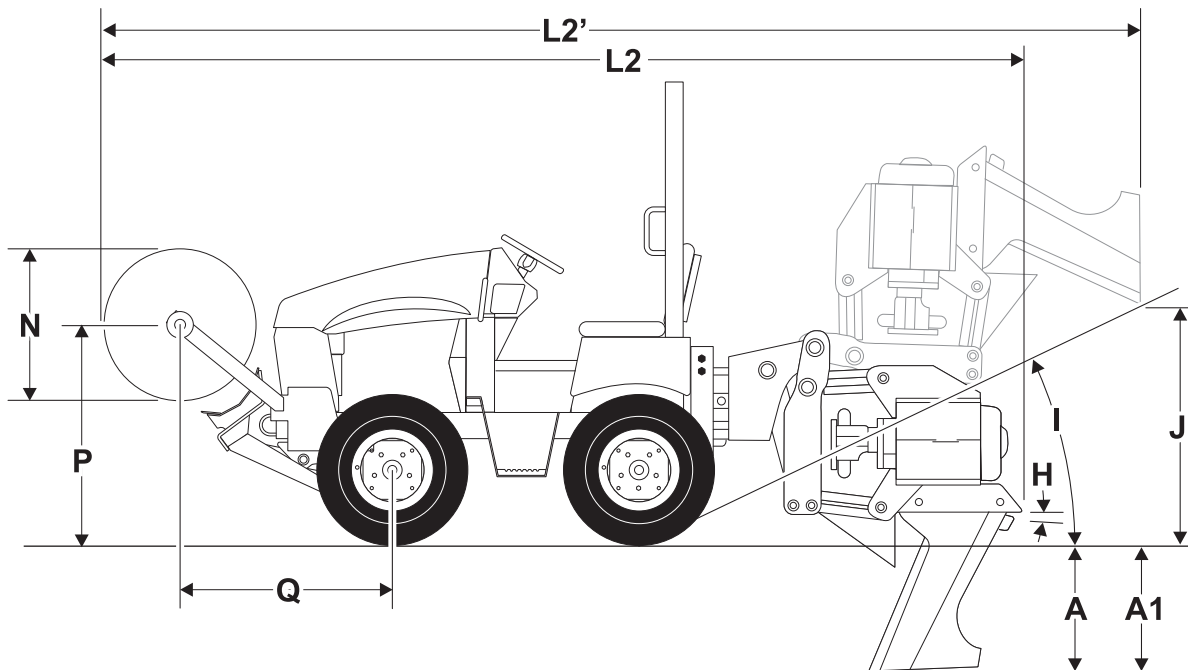
	Transport height	86 in	2.2 m
L	Headshaft overhang	24.9 in	630 mm
	Soil discharge reach		
	short auger	17 in	430 mm
	long auger	30 in	760 mm

* Dimensions are based on shortest roller boom, 26 X 12.00-12 standard tire and wheel, and 12" (300-mm) pivot (except reference A).

** With 6" (150-mm) chain, right side of trench will be in line with right outside edge of tires.



H331 Plow



t14om088h.eps

Dimensions		U.S.	Metric
A	Cover depth, feed blade, maximum	24 in	610 mm
	Feed tube inside width, maximum	1 in	25 mm
	Feed tube bend ratio	4:1 or 10:1	4:1 or 10:1
A1	Pull blade depth, maximum	24 in	610 mm
	Pull blade width, maximum	1 in	25 mm
	Pull blade bullet diameter, maximum	3 in	75 mm
	Blade steer angle	15°	15°
H	Angle of depression	3°	3°
I	Angle of departure	22°	22°
J	Blade ground clearance	28.5 in	725 mm
L2	Operating length, plow with blade	145 in	3.9 m
	With A323 backhoe	180 in	4.6 m
	With reel carrier	154 in	3.9 m
	With reel carrier and maximum diameter reel	169 in	4.3 m

L2'	Transport length, plow with blade	169 in	4.3 m
	With A323 backhoe	203 in	5.2 m
	With reel carrier	177 in	4.5 m
	With reel carrier and maximum diameter reel	192 in	4.9 m

Reel Carrier		U.S.	Metric
	Internal width	25 in	635 mm
N	Reel diameter, maximum	36 in	915 mm
P	Spindle height	39 in	985 mm
Q	Spindle overhang from front axle	42 in	1 m
	Reel capacity, maximum	200 lb	90 kg
	Operating weight, with blade	4200 lb	1910 kg

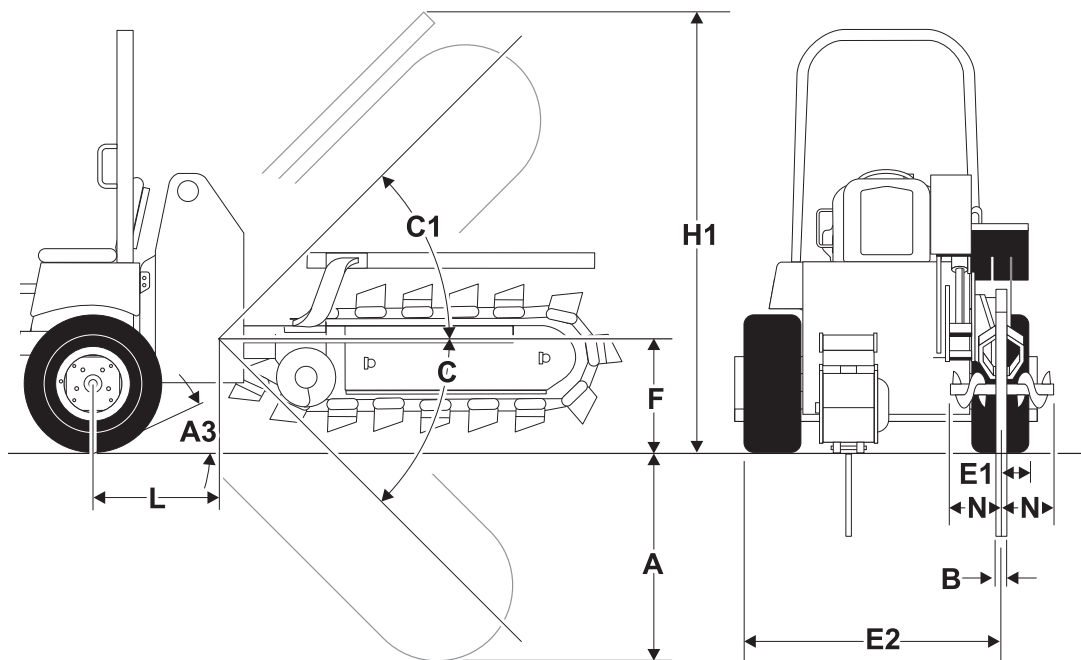


Plow Blades

Plow blades are available in 12" (305-mm), 18" (460-mm), and 24" (610-mm) blade depths. Select correct blade for the job: blades with feed tubes or pull blades. Feed tube blades are provided with 4:1 or 10:1 bend ratios. Check with your Ditch Witch® dealer for special blade requirements.

H350 Combo

Trencher



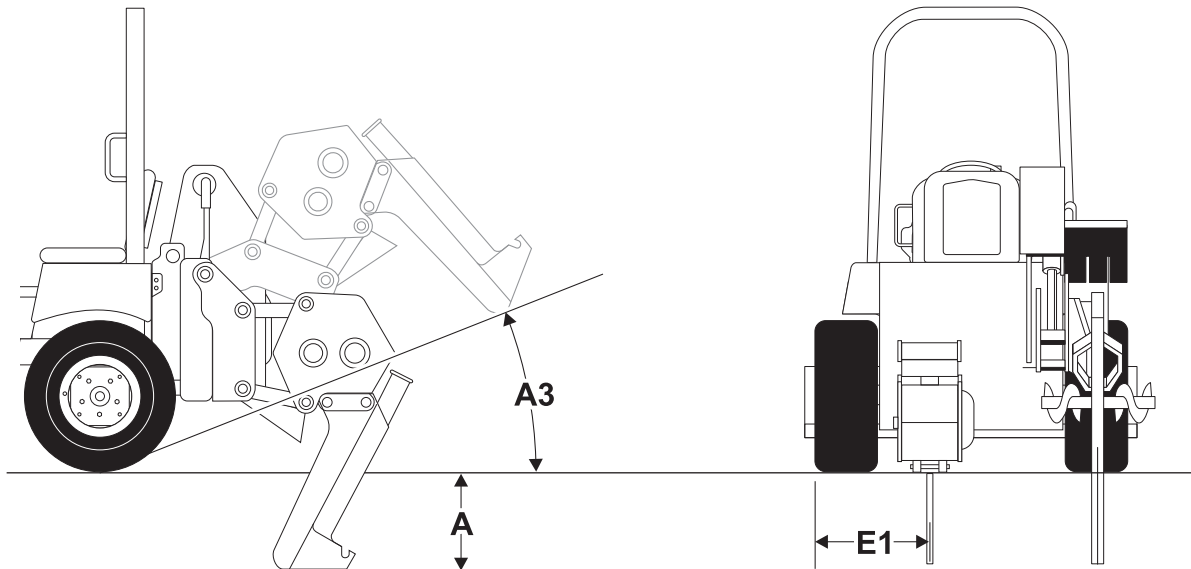
t14om038h.eps

Dimensions *		U.S.	Metric
A	Trench depth, maximum	42 in	1.1 m
A3	Angle of departure	33°	33°
B	Trench width, minimum to maximum	6-8 in	150-200 mm
C	Boom travel down	55°	55°
C1	Boom travel up	51°	51°
E1	Centerline of trench to outside edge, left	52 in	1.3 m
E2	Centerline of trench to outside edge, right **	3 in	80 mm
F	Headshaft height, digging chain	23 in	590 mm
	Overhang beyond tire	4.5 in	115 mm
H1	Transport height	86 in	2.2 m
L	Headshaft overhang	25 in	630 mm
N	Soil discharge reach	17 in	430 mm

* Dimensions are based on shortest roller boom, 26 X 12.00-12 standard tire and wheel.

** With 6" (150-mm) chain, right side of trench will be in line with right outside edge of tires.

Plow



t14om039h.eps

Dimensions		U.S.	Metric
A3	Angle of departure, transport, 18" (457-mm) blade	17°	17°
A	Cover depth, maximum*	24 in	610 mm
	Plow swing angle, left	30°	30°
	Plow swing angle, right	20°	20°
E1	Center of plow to outside edge of unit	20 in	510 mm

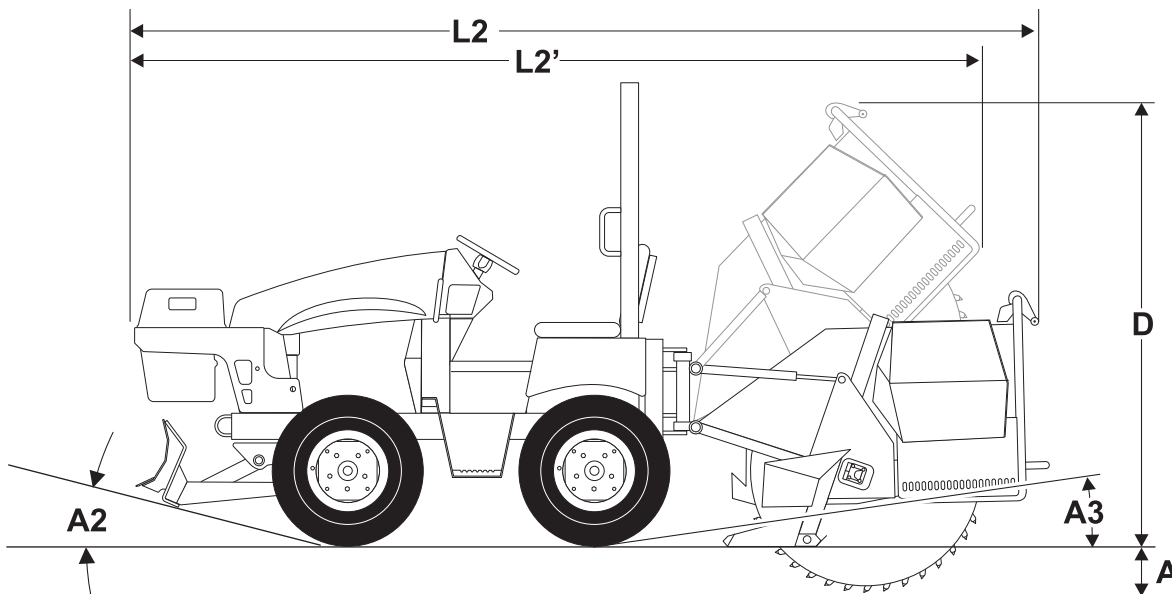
*Suggested maximum. Plow blade used will be determined by job requirements and soil conditions.

Operation	U.S.	Metric
Material diameter, pull-in, maximum	2.5 in	65 mm
Material diameter, feed chute, maximum	1.5 in	40 mm

H350 General	U.S.	Metric
Operating weight, without augers, boom, chain, and plow blade	1500 lb	680 kg
Counterweight required, minimum	1100 lb	500 kg

With front-mounted weight rack and A323 backhoe, no rear counterweighting is required.

H342 Saw



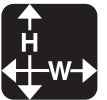
t14om089h.eps

Dimensions		U.S.	Metric
A	Trench depth, maximum	18 in	455 mm
A2	Angle of approach	18°	18°
A3	Angle of departure	14°	14°
D	Transport height, attachment	79 in	2.0 m
L2	Overall length, full depth	177 in	4.5 m
L2'	Overall length, transport	162 in	4.1 m

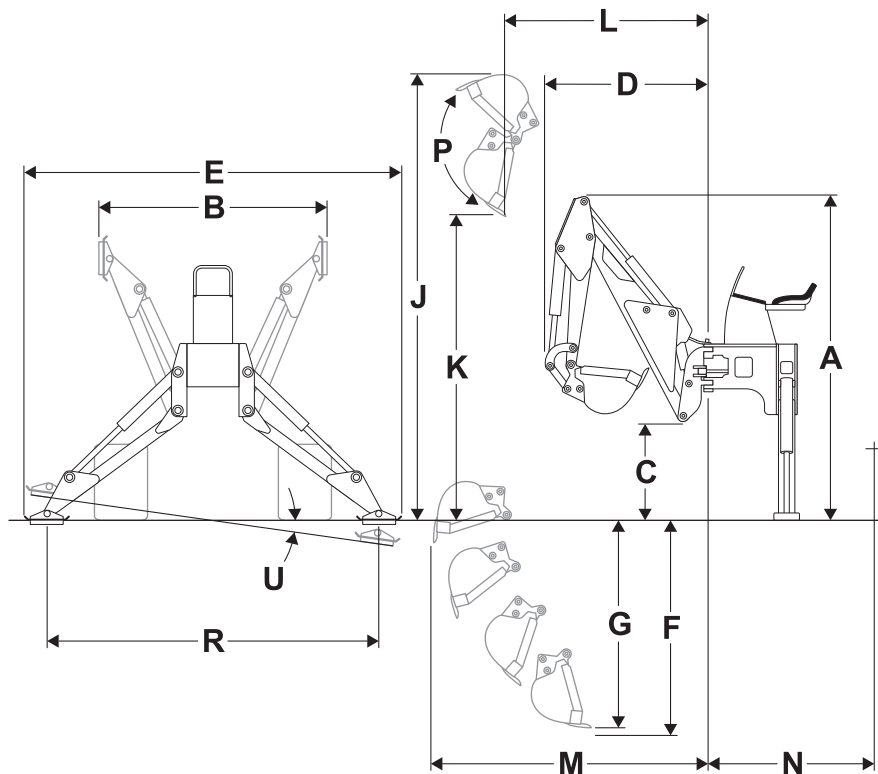
Operation		U.S.	Metric
Breakover angle at full depth, maximum		38°	38°
Wheelshaft height, full depth		16 in	410 mm
Wheelshaft overhang from rear axle, full depth		54 in	1.4 m
Attachment height, full depth		54 in	1.4 m
Operating height, power unit		86 in	2.2 m

Lift capacities are for a stationary machine supported by stabilizers.

Not Shown		U.S.	Metric
Ground clearance at wheel, maximum		11.8 in	300 mm
Centerline trench to outside edge of unit			
	Left	32 in	815 mm
	Right	32 in	815 mm
Attachment width		23 in	580 mm
Number of teeth on saw wheel		36	36
Attachment weight			
	2.5" (65-mm) segments	1550 lb	700 kg
	3.5" (90-mm) segments	1610 lb	730 kg
	5.0" (130-mm) segments	1660 lb	755 kg
Counterweight required		800 lb	360 kg
Wheel speed, variable		0-160 rpm	0-160 rpm



A323 Backhoe



t11om077c.eps

Dimensions		U.S.	Metric
A	Transport height	80.5 in	2.0 m
C	Ground clearance	23 in	584 mm
D	Backhoe length, stowed	60 in	1.5 m
F	Digging depth, maximum	72 in	1.8 m
G	Digging depth, 2' (0.6 m) flat bottom	66 in	1.7 m
J	Operating height, fully raised	97 in	2.5 m
K	Loading height	46 in	1.2 m
L	Loading reach	55 in	1.4 m
M	Reach from swing pivot	102 in	2.6 m
N	Swing pivot to centerline axle	32 in	813 mm
P	Bucket rotation	132°	132°
B	Stabilizer spread, transport	64 in	1.6 m
E	Backhoe or basic unit width	57 in	1.5 m

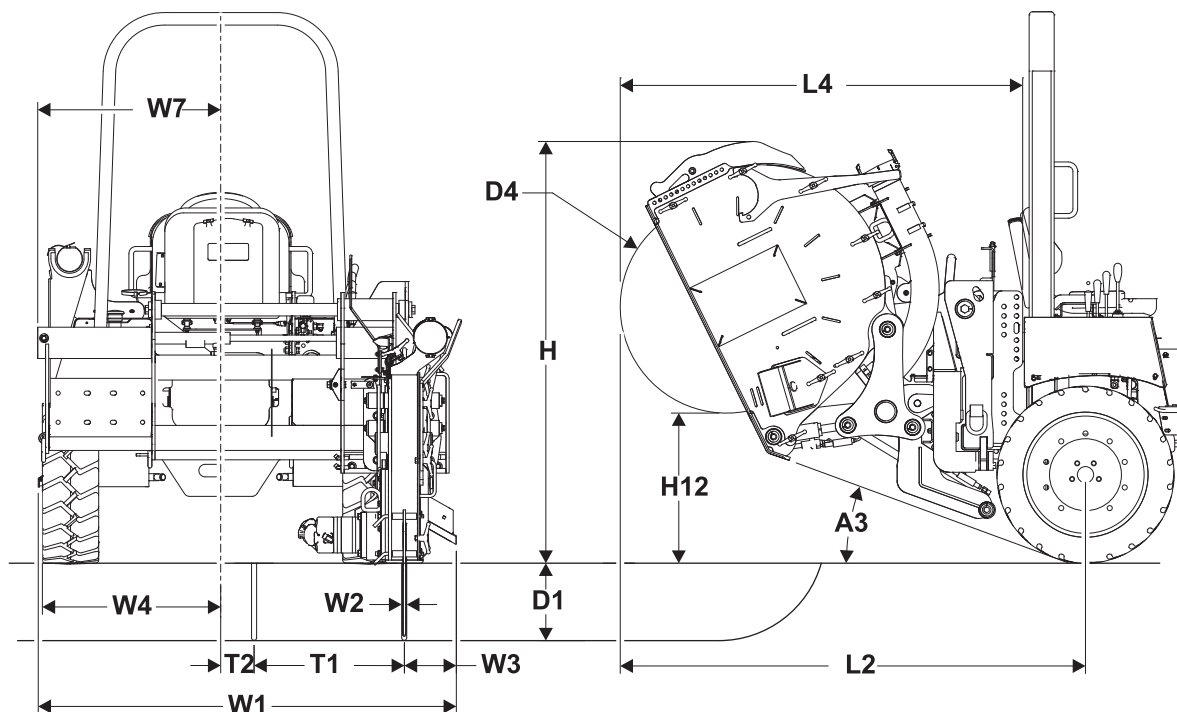
R	Stabilizer spread, operating	104 in	2.6 m
U	Leveling angle	10°	10°

General		U.S.	Metric
Bucket			
	Width	12 in	305 mm
	Capacity	1.1 ft ³	0.03 m ³
Backhoe weight with bucket		1125 lb	511 kg
Lift capacity, boom over end and swing arc, SAE*			
	@ 48" (1.2 m)	957 lb	434 kg
	@ ground level	1044 lb	474 kg
	@ 72" (1.8 m)	783 lb	355 kg
Lift capacity, dipperstick over end and swing arc, SAE*			
	@ 48" (1.2 m)	1784 lb	809 kg
	@ 72" (1.8 m)	1500 lb	681 kg
Swing arc		160°	160°
Digging force			
	Using bucket cylinder	5340 lb	23.8 kN
	Using dipperstick cylinder	4050 lb	18 kN



*Lift capacities are for a stationary machine supported by stabilizers.

MT12 MicroTrencher



t28om085h.eps

Dimensions		U.S.	Metric
A3	Angle of departure	19°	19°
D1	Trench depth, 1-in (25-mm) increments	6.5-12.5 in	165-318 mm
D4	Blade diameter	34 in	864 mm
H	Attachment height, transport	68 in	1.72 m
H12	Ground clearance at wheel	24 in	610 mm
L2	Length, transport, from centerline of rear axle	75 in	1.90 m
L2'	Working length, from centerline of rear axle (not shown)	81 in	2.06 m
L4	Length, transport, from front of attachment	64 in	1.62 m
T1	Saw offset distance	24 in	610 mm
T2	Centerline of saw to centerline of unit, minimum offset	5.3 in	135 mm
W1	Maximum working width	67 in	1.70 m
W2	Trench Width	0.75-1.25 in	19-32 mm

W3	Spoils chute extension (same both sides)	8.5 in	216 mm
W4	Centerline of unit to outside left tire (28x9 solid tires)	28.5 in	725 mm
W7	Centerline of unit to end of traverse frame	29.2 in	742 mm
Width, transport		60.5 in	1.53 m
Minimum microtrenching radius*		40 ft	12 m
Attachment weight, including mount kit		1400 lb	636 kg
Microtrencher tilt adjustment		+/- 6°	+/- 6°
Counterweighting: For unit with solid, 28x9 tires, add 500 lb (227 kg) on front weight rack			



Operation	U.S.	Metric
Microtrencher motor displacement	40.55 in ³	664 cc
Blade speed, variable	0-160 rpm	0-160 rpm
Quantity of cutting teeth on saw blade (0.75 in, 0.95 in, 1.25 in)	24, 32, 32	24, 32, 32
Cutting bit types: Rotating: self-sharpening full cap conical bit with pin retainer Fixed: Sharktooth carbide-tipped bits (0.75 in blade width only)		

*Minimum microtrench radius will depend on surface conditions and hardness of material being cut. Cut will be slightly wider in curved sections of the trench.

Specifications are called out according to SAE recommended procedures. Specifications are general and subject to change without notice. If exact measurements are required, equipment should be weighed and measured. Due to selected options, delivered equipment may not necessarily match that described.

Support

Procedure

Notify your dealer immediately of any malfunction or failure of Ditch Witch® equipment.

Always give model, serial number, and approximate date of your equipment purchase. This information should be recorded and placed on file by the owner at the time of purchase.

Return damaged parts to dealer for inspection and warranty consideration if in warranty time frame.

Order genuine Ditch Witch replacement or repair parts from your authorized Ditch Witch dealer. Use of another manufacturer's parts may void warranty consideration.



Resources

Publications

Contact your Ditch Witch dealer for publications and videos covering safety, operation, service, and repair of your equipment.

Ditch Witch® Training

For information about on-site, individualized training, contact your Ditch Witch dealer.

Warranty

Ditch Witch® Equipment and Replacement Parts Limited Warranty Policy

Subject to the limitation and exclusions herein, free replacement parts will be provided at any authorized Ditch Witch dealership for any Ditch Witch equipment or parts manufactured by The Charles Machine Works, Inc. (CMW) that fail due to a defect in material or workmanship within one (1) year of first commercial use. Free labor will be provided at any authorized Ditch Witch dealership for installation of parts under this warranty during the first year following "initial commercial" use of the serial-numbered Ditch Witch equipment on which it is installed. The customer is responsible for transporting their equipment to an authorized Ditch Witch dealership for all warranty work.

Exclusions from Product Warranty

- All incidental or consequential damages.
- All defects, damages, or injuries caused by misuse, abuse, improper installation, alteration, neglect, or uses other than those for which products were intended.
- All defects, damages, or injuries caused by improper training, operation, or servicing of products in a manner inconsistent with manufacturer's recommendations.
- All engines and engine accessories (these are covered by original manufacturer's warranty).
- Tires, belts, and other parts which may be subject to another manufacturer's warranty (such warranty will be available to purchaser).
- ALL IMPLIED WARRANTIES NOT EXPRESSLY STATED HEREIN, INCLUDING ANY WARRANTY OF FITNESS FOR A PARTICULAR PURPOSE AND MERCHANTABILITY.

IF THE PRODUCTS ARE PURCHASED FOR COMMERCIAL PURPOSES, AS DEFINED BY THE UNIFORM COMMERCIAL CODE, THEN THERE ARE NO WARRANTIES WHICH EXTEND BEYOND THE FACE HEREOF AND THERE ARE NO IMPLIED WARRANTIES OF ANY KIND WHICH EXTEND TO A COMMERCIAL BUYER. ALL OTHER PROVISIONS OF THIS LIMITED WARRANTY APPLY INCLUDING THE DUTIES IMPOSED.

Ditch Witch products have been tested to deliver acceptable performance in most conditions. This does not imply they will deliver acceptable performance in all conditions. Therefore, to assure suitability, products should be operated under anticipated working conditions prior to purchase.

Defects will be determined by an inspection within thirty (30) days of the date of failure of the product or part by CMW or its authorized dealer. CMW will provide the location of its inspection facilities or its nearest authorized dealer upon inquiry. CMW reserves the right to supply remanufactured replacement parts under this warranty as it deems appropriate.

Extended warranties are available upon request from your local Ditch Witch dealer or CMW.

Some states do not allow exclusion or limitation of incidental or consequential damages, so above limitation of exclusion may not apply. Further, some states do not allow exclusion of or limitation of how long an implied warranty lasts, so the above limitation may not apply. This limited warranty gives product owner specific legal rights and the product owner may also have other rights which vary from state to state.

For information regarding this limited warranty, contact CMW's Product Support department, P.O. Box 66, Perry, OK 73077-0066, or contact your local Ditch Witch dealer.

**A Note To
Ditch Witch
Equipment Owners:**

If your equipment was purchased through a Ditch Witch dealer, there is no need to read further.

However, if you purchased from any other source, please fill out the form on the reverse side and return it to us.

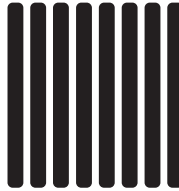
This will enable you to receive updates on this equipment as well as information on new products of interest.

Thanks for using Ditch Witch equipment.

(Please Fold Along This Line And Seal At Bottom With Tape)



NO POSTAGE
NECESSARY
IF MAILED
IN THE
UNITED STATES



BUSINESS REPLY MAIL

FIRST CLASS PERMIT NO. 23 PERRY OKLAHOMA

POSTAGE WILL BE PAID BY

**The Charles Machine Works, Inc.
P.O. Box 66
Perry, Oklahoma 73077-9989**



**A Note To
Ditch Witch
Equipment Owners:**

If your equipment was purchased through a Ditch Witch dealer, there is no need to read further.

However, if you purchased from any other source, please fill out the form on the reverse side and return it to us.

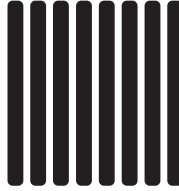
This will enable you to receive updates on this equipment as well as information on new products of interest.

Thanks for using Ditch Witch equipment.

(Please Fold Along This Line And Seal At Bottom With Tape)



NO POSTAGE
NECESSARY
IF MAILED
IN THE
UNITED STATES



BUSINESS REPLY MAIL

FIRST CLASS PERMIT NO. 23 PERRY OKLAHOMA

POSTAGE WILL BE PAID BY

**The Charles Machine Works, Inc.
P.O. Box 66
Perry, Oklahoma 73077-9989**



Ditch Witch® Registration Card

Please Type or Print All Information

Purchaser's Company Name

Attention

Street Address or P.O. Box

City County

State Zip Nation

()

Phone Number With Area Code

Model Serial Number

Attachments/Accessories Serial Numbers

Attachments/Accessories Serial Numbers

Attachments/Accessories Serial Numbers

Name of Ditch Witch Dealership

Your Signature

Ditch Witch® Registration Card

Please Type or Print All Information

Purchaser's Company Name

Attention

Street Address or P.O. Box

City County

State Zip Nation

()

Phone Number With Area Code

Model Serial Number

Attachments/Accessories Serial Numbers

Attachments/Accessories Serial Numbers

Attachments/Accessories Serial Numbers

Name of Ditch Witch Dealership

Your Signature

